

Actuator

92-
458.700

Distribution by
Newark



<https://newark.eao.com/component/92-458.700/e...>

Your product:



92-458.700 Actuator

Loading ...

FRONT

| | |
|------------------------------|-------------------|
| Front dimension: | 18,4 mm x 18,4 mm |
| Front form: | Square |
| Front bezel colour: | Black |
| Front bezel material: | Plastic |

MOUNTING

| | |
|-----------------------|----------------|
| Design: | PCB |
| Mounting type: | Panel mounting |

OPERATING-/INDICATION PART

| | |
|-----------------------------|-------------|
| Lens colour: | Colourless |
| Lens material: | Plastic |
| Lens illumination: | Illuminated |
| Lens shape: | Flush |
| Lens optics: | transparent |
| Illumination colour: | White |

ELECTRICAL CHARACTERISTICS

| | | |
|---|-------------------|--|
| Switching voltage and switching current: | Switching voltage | min. 50 m VAC/DC max. 42 VAC/DC |
| | Switching current | min. 10 μ A AC/DC max. 100 mA AC/DC |
| | Power rating | max. 2 W |
| Switching rating: | 42 V | |
| Electrical lifetime: | | |

500 000 cycles of operation at 42VDC, 50mA, according to IEC 6512-5-9c

Electric strength: 500 VAC, 50 Hz, 1 minute according to IEC 60512-5-9c

Electrostatic discharge (ESD): 15 kV

MECHANICAL CHARACTERISTICS

Switching action: Momentary

Switching system: Short-travel element

Switching system: Short-travel switching system with 2 independent contact points
Guarantees reliable switching even of very light loads. Fitted with 1 normally open contact.

Mechanical lifetime: ≥ 1 Mil. cycles of operation

Operating force: 2.7 N \pm 1 N switching element, 5 N lens

Operating Travel: ca. 0.4 mm switching element

Tightening torque: Fixing nut max. 0.5 Nm, Fixing screw mounting flange 0.4 Nm

Weight: 0.004 kg

AMBIENT CONDITION

IP front protection: IP40

IP Protection: IP40 front side

Operating temperature: - 25 °C ... + 70 °C

Storage temperature: - 40 °C ... + 80 °C

Shock resistance: Max. 500 m/s², pulse width, 3-axis (sinusoidal EN IEC 60068-2-27)

Vibration resistance: Max. 100 m / s² from 10 Hz ... 500 Hz, 10 cycles, 3-axis (sinusoidal EN IEC 60068-2-6)

CERTIFICATE

Approbations: CQC

Conformities: CE, UKCA, 2011 / 65 / EC (RoHS), 2014 / 35 / EU (LVD)

REACH: REACH compliant

RoHS: RoHS compliant

OTHER

Short Description: Actuator, 18,4 mm x 18,4 mm, Flush, Illuminated, Colourless, Plastic, transparent, Square, Black, Plastic, Momentary, IP40, White

Dimension: 18.4 mm x 18.4 mm

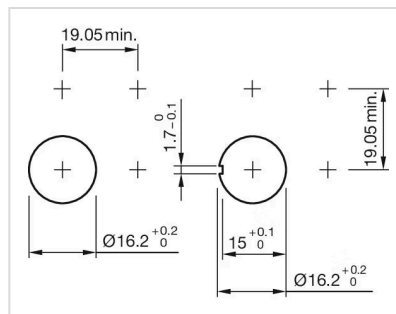
Housing colour: White

Housing material: Plastic

Wiring diagrams:



Mounting cut-outs:



Dimension drawings:

