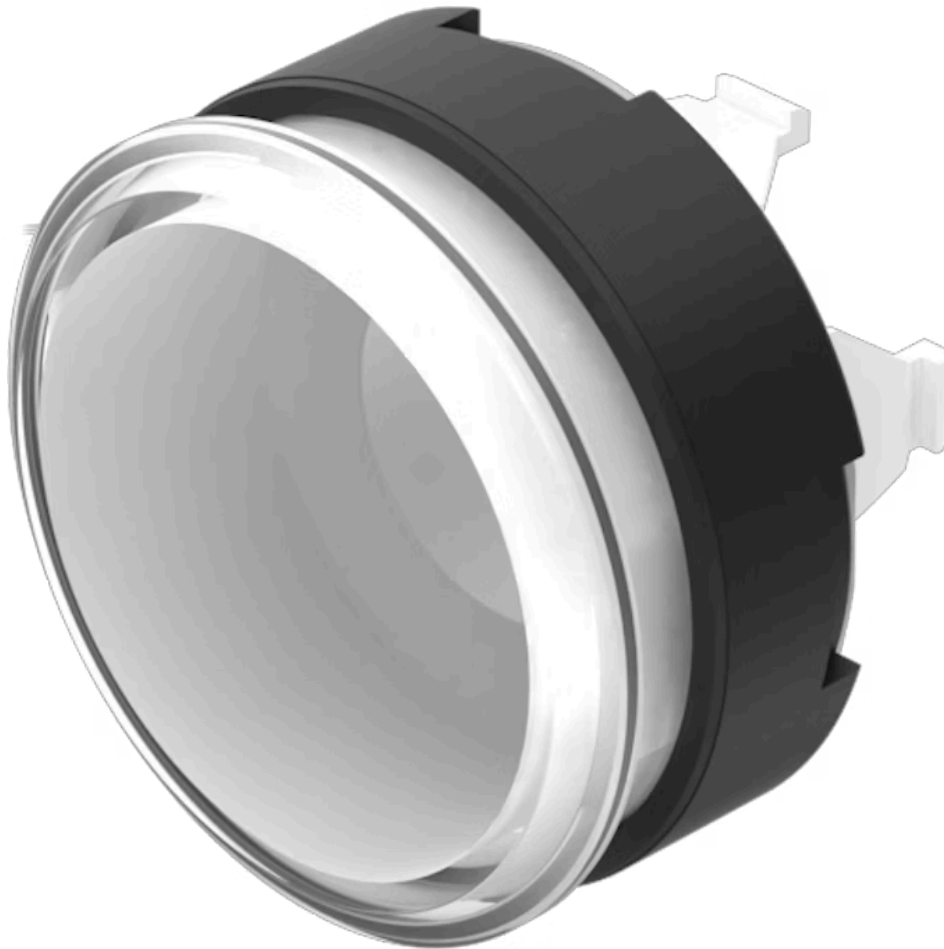


Actuator

84-1091.7

Distribution by
Newark



<https://newark.eao.com/component/84-1091.7/en...>

Your product:



84-1091.7 Actuator

Loading ...

FRONT

Front dimension:	Ø 25 mm
Front form:	Round
Front bezel colour:	White
Front bezel material:	Plastic

MOUNTING

Design:	Flush
Mounting cut-out:	Ø 22.5 mm
Mounting type:	Panel mounting

OPERATING-/INDICATION PART

Lens illumination:	Illuminated
---------------------------	-------------

MECHANICAL CHARACTERISTICS

Switching action:	Momentary
Switching system:	Short-travel element
Mechanical lifetime:	≥1 Mil. cycles of operation
Operating force:	4.5 N ±1 N (measured at the lens)
Operating Travel:	1.2 mm
Tightening torque:	Fixing nut 0.8 Nm
Weight:	0.008 kg

AMBIENT CONDITION

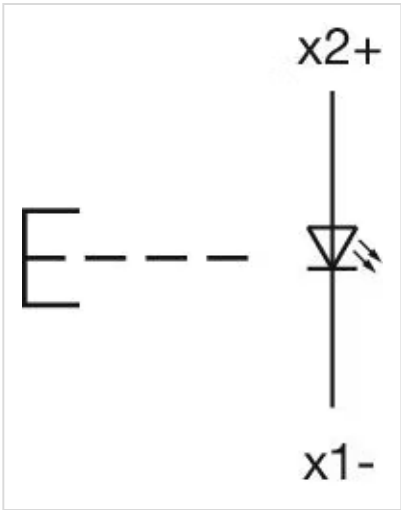
IP front protection:	IP65, IP67
IP Protection:	IP65, IP67
Operating temperature:	- 25 °C ... + 70 °C
Storage temperature:	- 40 °C ... + 85 °C
Climate resistance:	Damp heat, cyclic: 96 hours, + 25 °C/97 %, + 55 °C/93 % relative humidity, as per EN IEC 60068-2-30 Damp heat, steady: 56 days, + 40 °C/93 % relative humidity, according to EN IEC 60068-2-78 Rapid change of temperature: 100 cycles, - 40 °C ... + 80 °C, as per EN / IEC 60068-2-14

CERTIFICATE

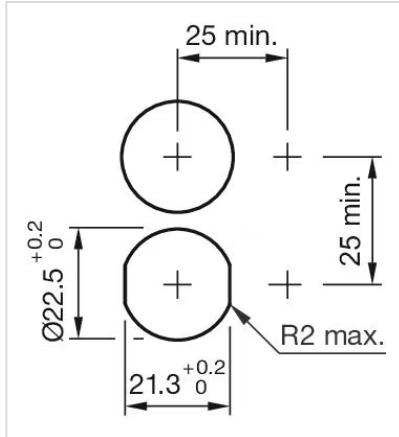
Approbations:	EBC (TSI PRM), NFF
Conformities:	CE, UKCA, 2011 / 65 / EC (RoHS)
REACH:	REACH compliant
RoHS:	RoHS compliant

OTHER

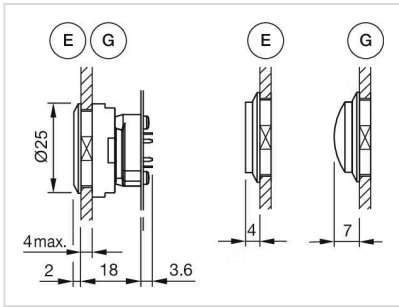
Short Description:	Actuator, Ø 22.5 mm, Ø 25 mm, Illuminated, Round, White, Plastic, translucent, Momentary, IP65, IP67
Housing colour:	White
Housing material:	Plastic
Hints:	Front bezel illuminated
Description component:	Material housing actuator: Plastic as per UL94 V0
Wiring diagrams:	



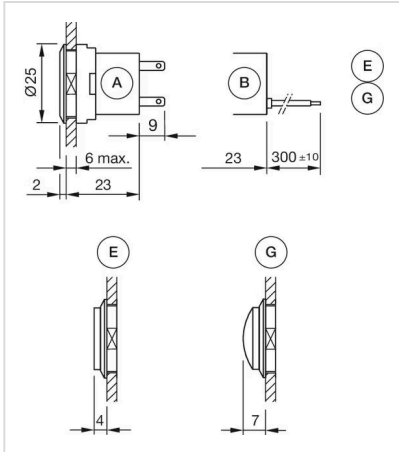
Mounting cut-outs:



Dimension drawings:



E = Lens raised above bezel
 G = Lens convexe raised above bezel



A = Plug-in terminal 2.8 mm x 0.8 mm
 B = Flat ribbon cable
 E = Lens raised above bezel
 G = Lens convexe raised above bezel