

# Lamp block

704.950.3

Distribution by  
Newark



Your product:

---



## 704.950.3 Lamp block

*Loading ...*

### ELECTRICAL CHARACTERISTICS

**Standards:** The switches comply with the "Standards for low-voltage switching devices" DIN EN 60947-1/DIN EN 60947-5-1

### MECHANICAL CHARACTERISTICS

**Terminal:** Push-in terminal

**Switching positions:** 2 positions

**Wire cross section:** Max. wire cross-section 2 wires with 1 mm  
Skinning wire 8 mm  
Max. wire cross-section of stranded cable 2 x 0.75 mm<sup>2</sup>  
use stranded wires only with wire end ferrules of 8 mm length  
Only one polarity is allowed on each side when wiring.

**Weight:** 0.015 kg

### AMBIENT CONDITION

**IP Protection:** IP20

**Operating temperature:** - 40 °C ... + 55 °C

**Storage temperature:** - 40 °C ... + 85 °C

**Shock resistance:** Max. 300 m/s<sup>2</sup>, pulse width 11 ms (sinusoidal EN IEC 60068-2-27)

**Vibration resistance:** Max. 100 m / s<sup>2</sup> from 10 Hz ... 500 Hz, (sinusoidal EN IEC 60068-2-6)

**Climate resistance:** Relative humidity, max. 95%, non-condensing

### CERTIFICATE

**REACH:** REACH compliant

**RoHS:** RoHS compliant

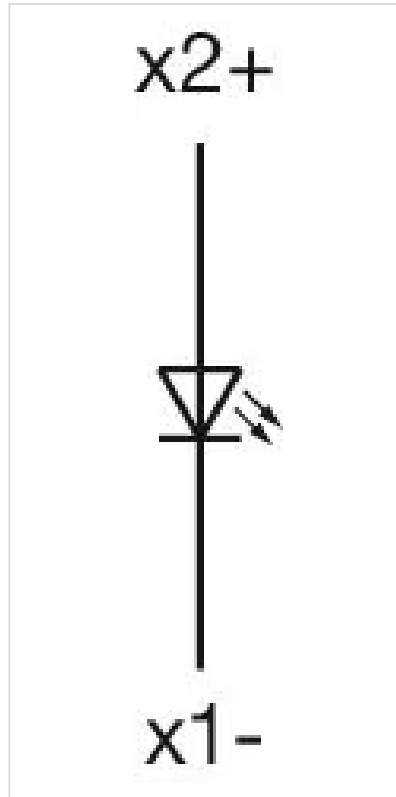
**OTHER**

**Short Description:** Lamp block, Plastic, Push-in terminal

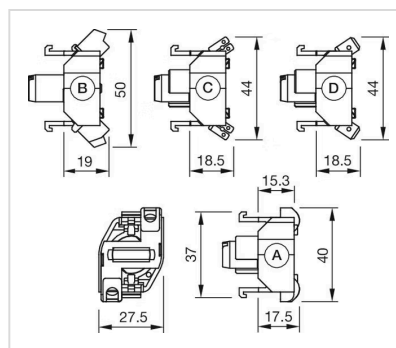
**Housing material:** Plastic

**Hints:** When using the lamp block, the application guidelines must be observed.

**Wiring diagrams:**



**Dimension drawings:**



- A = Screw terminal
- B = Push-in terminal (PIT)
- C = Plug-in terminal 6.3 mm x 0.8 mm
- D = Double plug-in terminal 6.3 mm x 0.8 mm