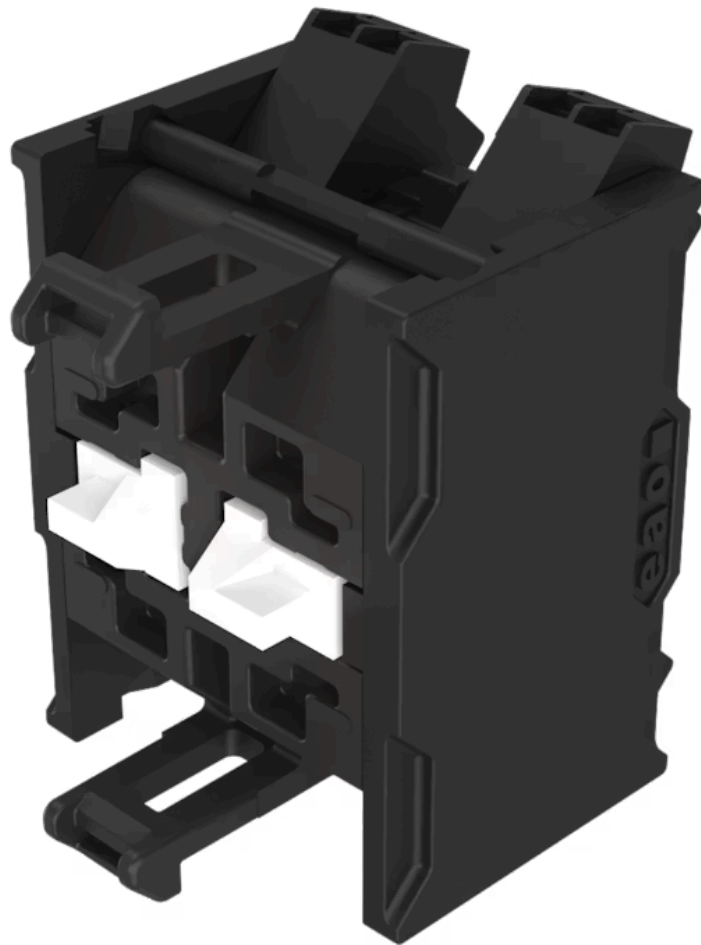


# Switching element - New Version

704.918.3-1

Distribution by  
Newark



<https://newark.eao.com/component/704.918.3-1/...>

Your product:



## 704.918.3-1 Switching element - New Version

Loading ...

### ELECTRICAL CHARACTERISTICS

#### Switching voltage and switching current:

as per DIN EN IEC 60947-5-1		
voltage	DC13	AC15
24 V	4.0 A	8.0 A
60 V	1.5 A	8.0 A
110 V	1.0 A	
120 V		8.0 A
230 V	0.4 A	7.0 A
400 V	0.2 A	5.0 A
500 V	0.15 A	4.0 A
as per UL 60947-5-1		
voltage	power	
24 VDC	4.0 A, Pilot duty	
60 VDC	1.5 A, Pilot duty	
120 VDC	1.0 A, Pilot duty	
240 VDC	0.4 A, Pilot duty	
415 VDC	0.2 A, Pilot duty	
480 VDC	0.14A, Pilot duty	
120 VAC	8.0 A, Pilot duty	
240 VAC	7.0 A, Pilot duty	
415 VAC	5.0 A, Pilot duty	
480 VAC	4.0 A, Pilot duty	

**Contacts:** 2 NO

**Rated impulse withstand voltage Uimp:** 4 kV

**Rated insulation voltage Ui:** 500 V

**Recommended minimum operational data:**

Gold-silver contacts	
Voltage	24 VDC
Current	5 mA
Hard silver contacts	
Voltage	24 VDC
Current	50 mA

**Switching rating:** 250 V AC @ 6 A

**Electrical lifetime:** 50 000 cycles of operation (500 VAC, 10 A)

**Pollution degree:** 3

**Standards:** The switches comply with the "Standards for low-voltage switching devices" DIN EN IEC UL 60947-5-1

**Thermal current Ith:** Max. current as per EN IEC 60947-5-1 6 A

## MECHANICAL CHARACTERISTICS

<b>Terminal:</b>	Push-in terminal
<b>Contact material:</b>	Silver
<b>Switching system:</b>	Slow-make switching element
<b>Switching system:</b>	The double-break, slow-make switching element is equipped with one or two independent contact systems, acting as normally open or normally closed contact. The normally closed contact has forced opening. Slow-make contacts with forced action are ideal for high switch ratings.
<b>Operating force:</b>	1 Normally closed approx. 2 N, 1 Normally open approx. 3 N
<b>Wire cross section:</b>	Wire cross-section 0.2 ... 1.0 mm <sup>2</sup> / AWG 24 to AWG 18 Skinning wire 8 mm Max. number of wires: 2 stranded cables 0.2 ... 0.75 mm <sup>2</sup> / AWG 24 bis AWG 18 use stranded wires only with wire end ferrules of 8 mm length Max. number of stranded cables: 2 Only one polarity is allowed on each side when wiring.
<b>Weight:</b>	0.025 kg

## AMBIENT CONDITION

<b>IP Protection:</b>	IP20
<b>Operating temperature:</b>	- 40 °C ... + 55 °C
<b>Storage temperature:</b>	- 40 °C ... + 85 °C
<b>Shock resistance:</b>	(single impacts, semi-sinusoidal) 300 m/s <sup>2</sup> , pulse width 18 ms, as per DIN EN 60068-2-27
<b>Vibration resistance:</b>	(sinusförmig) 100 m/s <sup>2</sup> bei 10 Hz...500 Hz, nach DIN EN 60068-2-6, Erhöhtes Breitbandrauschen nach DIN EN 61373, Klasse 1B
<b>Climate resistance:</b>	Relative humidity 10 %rh ... 95 %rh (non-condensing) original packaging according to DIN EN IEC 60721-3-1 Class 1C1

## CERTIFICATE

<b>Approbations:</b>	CB (IEC 60947-5-1), cULus, DNV, VDE
<b>Conformities:</b>	CE, CCC, UKCA
<b>REACH:</b>	REACH compliant
<b>RoHS:</b>	RoHS compliant

## OTHER

<b>Short Description:</b>	Switching element - New Version, Slow-make switching element, 250 V AC @ 6 A, Silver, 2 NO, Push-in terminal
<b>Hints:</b>	When using the switching element, the application guidelines must be observed.

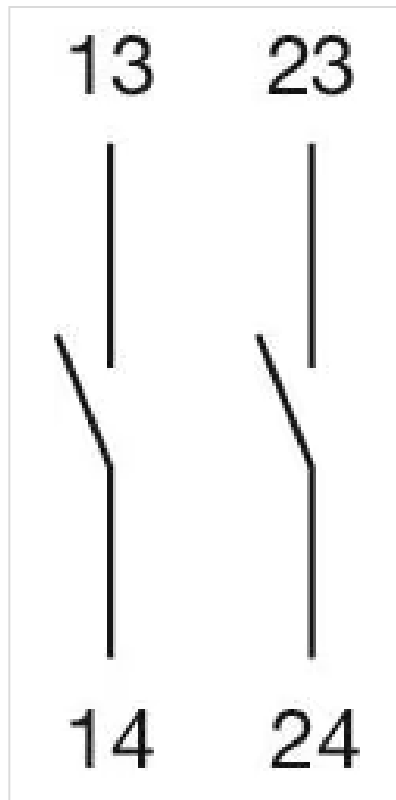
For the third switching element the terminal marking insert is to be ordered separately  
 Operating temperature: Other temperatures on request  
 A suitable enclosure is required for applications with increased protection requirements. In North America, the product must be installed in an enclosure in accordance with UL 50E Type 2 or higher.

**Special requirements:**

Special requirements for positive-opening auxiliary current switches  
 Positive opening travel  
 Minimum force  
 Max. travel

Emerg  
 Emerg  
 which i  
 Emerg

**Wiring diagrams:**



**Dimension drawings:**

