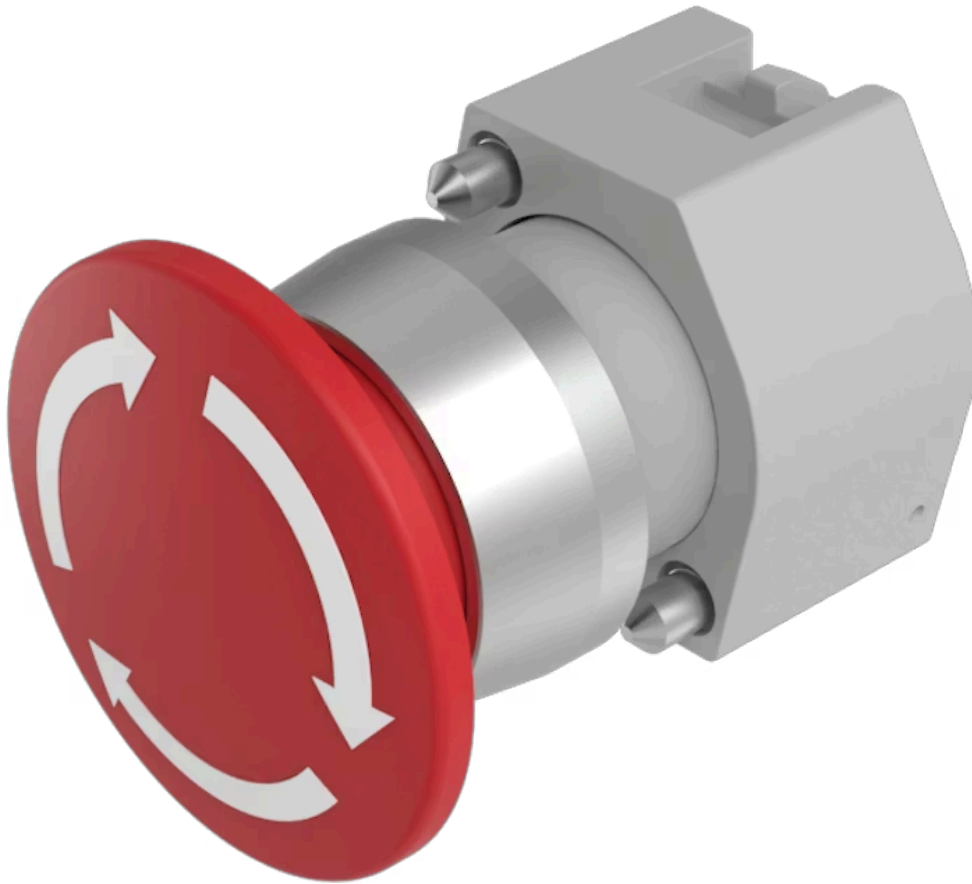


# Actuator

704.075.2

Distribution by  
Newark



<https://newark.eao.com/component/704.075.2/en...>

Your product:

---



## 704.075.2 Actuator

*Loading ...*

### FRONT

|                              |           |
|------------------------------|-----------|
| <b>Front dimension:</b>      | Ø 40 mm   |
| <b>Front form:</b>           | Round     |
| <b>Front bezel colour:</b>   | Nature    |
| <b>Front bezel material:</b> | Aluminium |

### MOUNTING

|                       |                |
|-----------------------|----------------|
| <b>Design:</b>        | Raised         |
| <b>Mounting type:</b> | Panel mounting |

### OPERATING-/INDICATION PART

|                           |                 |
|---------------------------|-----------------|
| <b>Lens colour:</b>       | Red             |
| <b>Lens material:</b>     | Plastic         |
| <b>Lens illumination:</b> | Non illuminated |
| <b>Lens shape:</b>        | Mushroom-head   |
| <b>Lens optics:</b>       | opaque          |

### ELECTRICAL CHARACTERISTICS

|                   |   |
|-------------------|---|
| <b>Standards:</b> | The switches comply with the "Standards for low-voltage switching devices" DIN EN 60947-1 |
|-------------------|---|

### MECHANICAL CHARACTERISTICS

|                             |                             |
|-----------------------------|-----------------------------|
| <b>Switching action:</b>    | Maintained                  |
| <b>Mechanical lifetime:</b> | ≤50 000 cycles of operation |

**Operating force:** 8 N  
**Operating Travel:** ca. 5.8 mm ± 0.2 mm  
**Weight:** 0.026 kg

### AMBIENT CONDITION

**IP Protection:** IP65 front side  
**Operating temperature:** – 40 °C ... + 55 °C  
**Storage temperature:** – 40 °C ... + 85 °C

### CERTIFICATE

**REACH:** REACH compliant  
**RoHS:** RoHS compliant

### OTHER

**Short Description:** Actuator, Ø 40 mm, Mushroom-head, Non illuminated, Red, Plastic, opaque, Round, Nature, Aluminium, anodised, Maintained

**Housing colour:** Grey

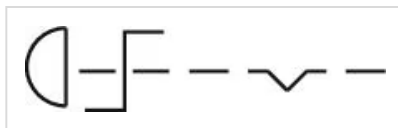
**Housing material:** Plastic

**Marking:** Arrows

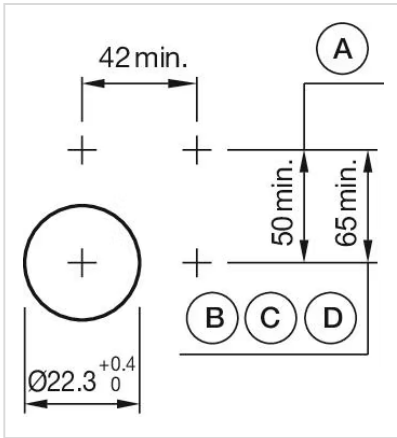
**Product attributes:** Twist to unlock clockwise

**max. number of switching elements:** 3

**Wiring diagrams:**

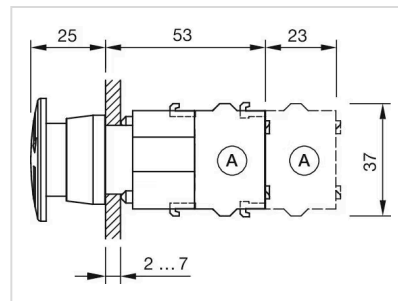


**Mounting cut-outs:**



- A = Screw terminal
- B = Push-in terminal (PIT)
- C = Plug-in terminal 6.3 mm x 0.8 mm
- D = Double plug-in terminal 6.3 mm x 0.8 mm

**Dimension drawings:**



A = Screw terminal