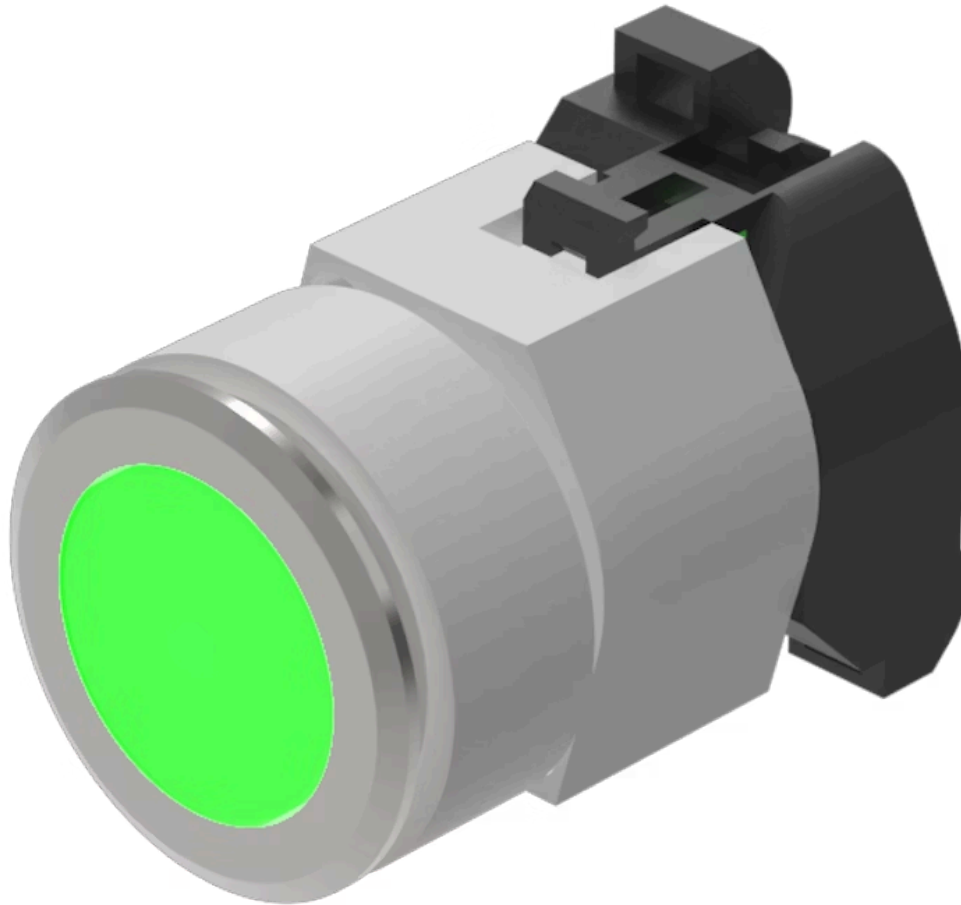


# Actuator

704.006.518

Distribution by  
Newark



<https://newark.eao.com/component/704.006.518/...>

Your product:

---



## 704.006.518 Actuator

*Loading ...*

### FRONT

<b>Front dimension:</b>	Ø 35 mm
<b>Front form:</b>	Round
<b>Front bezel colour:</b>	Nature
<b>Front bezel material:</b>	Aluminium

### MOUNTING

<b>Design:</b>	Flush
<b>Mounting cut-out:</b>	Ø 30.5 mm
<b>Mounting type:</b>	Panel mounting

### OPERATING-/INDICATION PART

<b>Lens colour:</b>	Green
<b>Lens material:</b>	Plastic
<b>Lens shape:</b>	Flush
<b>Lens optics:</b>	transparent
<b>Marking plate illumination:</b>	illuminative

### ELECTRICAL CHARACTERISTICS

<b>Standards:</b>	The switches comply with the "Standards for low-voltage switching devices" DIN EN 60947-1
-------------------	-------------------------------------------------------------------------------------------

### MECHANICAL CHARACTERISTICS

<b>Terminal:</b>	Screw terminal
------------------	----------------

**Weight:** 0.045 kg

### AMBIENT CONDITION

**IP Protection:** IP65 front side

**Operating temperature:** - 40 °C ... + 55 °C

**Storage temperature:** - 40 °C ... + 85 °C

### CERTIFICATE

**REACH:** REACH compliant

**RoHS:** RoHS compliant

### OTHER

**Short Description:** Actuator, Ø 30.5 mm, Ø 35 mm, Flush, Green, Plastic, transparent, Round, Nature, Aluminium, anodised, Screw terminal

**Housing colour:** Grey

**Housing material:** Plastic

**Hints:** The colour of anodised aluminium parts can vary due to technical production reasons

**Wiring diagrams:**

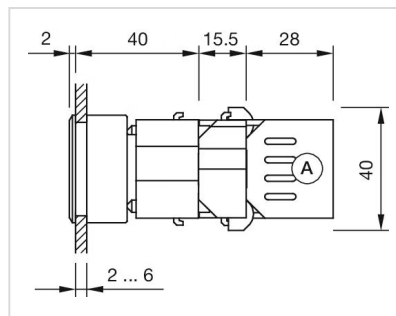


**Mounting cut-outs:**



A = Screw terminal

**Dimension drawings:**



A = Screw terminal

