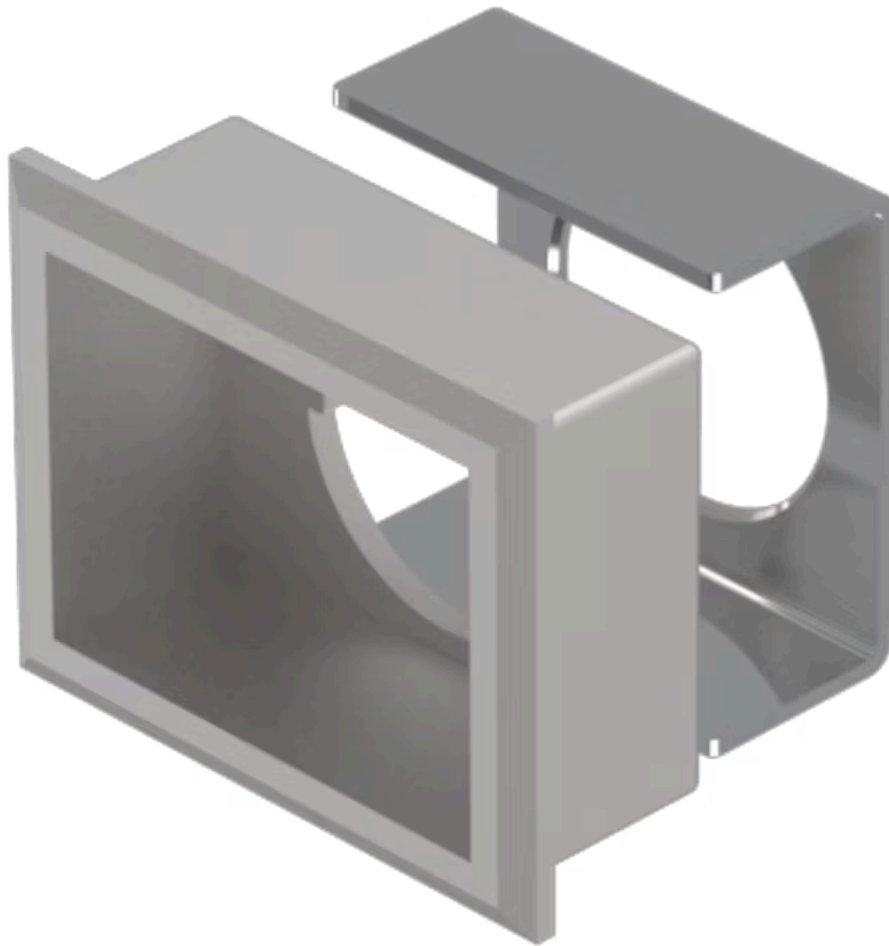


Front bezel set

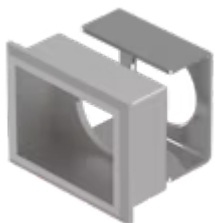
61-9931.4

Distribution by
Newark



<https://newark.eao.com/component/61-9931.4/en...>

Your product:



61-9931.4 Front bezel set

Loading ...

FRONT

Front dimension:	30 mm x 24 mm
Front form:	Rectangular
Front bezel colour:	Silver
Front bezel material:	Plastic, according to UL 94 V0

MOUNTING

Mounting cut-out:	27 mm x 21 mm
Mounting type:	Panel mounting

MECHANICAL CHARACTERISTICS

Weight:	0.002 kg
----------------	----------

CERTIFICATE

REACH:	REACH compliant
RoHS:	RoHS compliant

OTHER

Short Description:	Front bezel set, 30 mm x 24 mm, 24 mm x 18 mm, Silver, Plastic, according to UL 94 V0
Dimension:	30 mm x 24 mm
Internal size:	24 mm x 18 mm
Product attributes:	For indicator illuminated pushbutton and keylock switch
Mounting cut-outs:	

