

PCB plug-in base

61-9903

Distribution by
Newark



<https://newark.eao.com/component/61-9903/en/p...>

Your product:



61-9903 PCB plug-in base

Loading ...

ELECTRICAL CHARACTERISTICS

Forward voltage:

MECHANICAL CHARACTERISTICS

Terminal: PCB terminal

Weight: 0.003 kg

OTHER

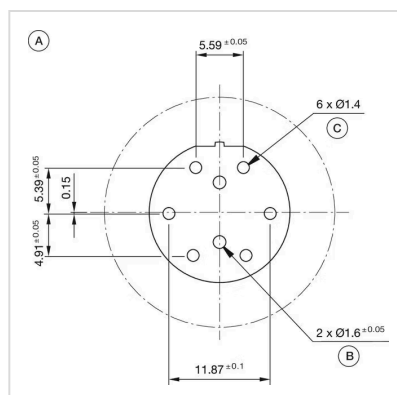
Short Description: PCB plug-in base, PCB terminal, Axial

Titel Accessory: PCB plug-in base

Product attributes: For emergency stop switch compact

Pins: Axial

Component layouts:

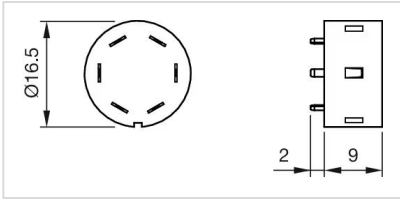


A = Drilling plan (component side)

B = Positioning hole

C = Pins for contacts/LED

Dimension drawings:



for Part No. 61-9903