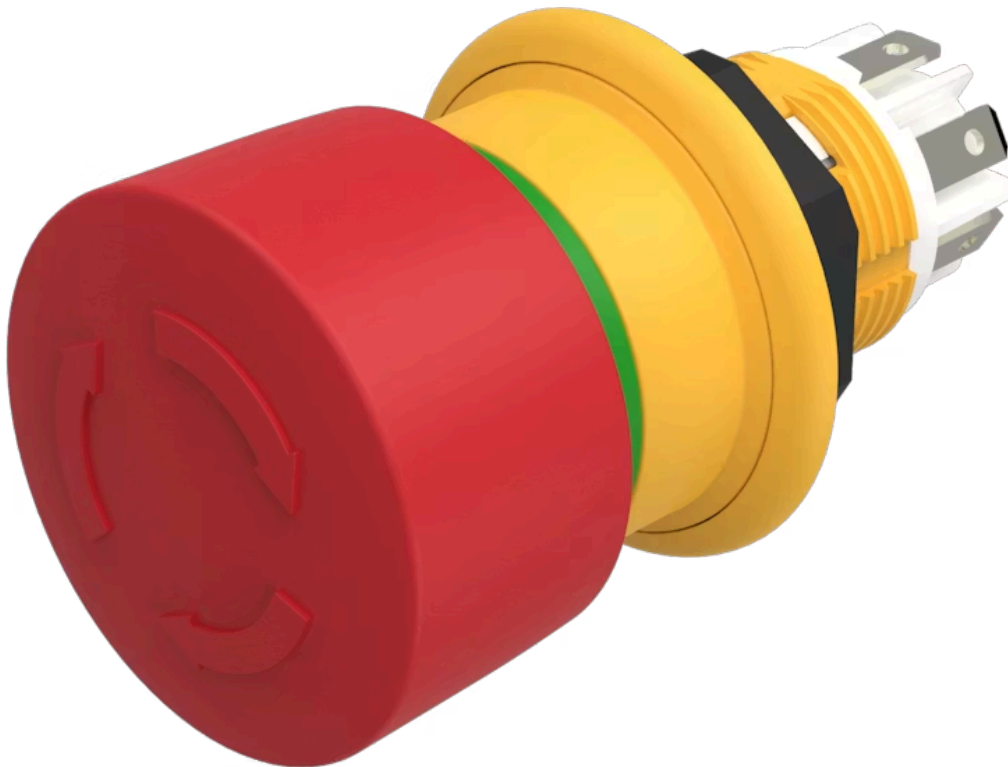


Actuator

61-
6441.4077

Distribution by
Newark



<https://newark.eao.com/component/61-6441.4077...>

Your product:



61-6441.4077 Actuator

Loading ...

FRONT

Front dimension: Ø 27 mm

Front form: Round

MOUNTING

Mounting type: Panel mounting

OPERATING-/INDICATION PART

Lens colour: Red

Lens material: Plastic

Lens illumination: Non illuminated

Lens shape: Mushroom-head

ELECTRICAL CHARACTERISTICS

Switching voltage and switching current:

| | |
|------------------------------------------------------------------------|--------|
| Alternating current usage category AC-15 according to EN IEC 60947-5-1 | |
| Voltage | 50 VAC |
| Current | 0,2 A |
| DC usage category DC-13 according to EN IEC 60947-5-1 | |
| Voltage | 50 VDC |
| Current | 0,2 A |

Contacts: 1 NC / 1 NO

Contact resistance: At 20 mV, 100 mA (IEC 60512-2-1) Insulation resistance
2 MΩ between the open contacts
7 MΩ towards the panel (DIN IEC 60512-3-1)

Rated Operational Voltage U_e: 50 VAC / DC, according to EN / IEC 60947-5-1

Rated impulse withstand voltage U_{imp}: 0.5 kV, according to EN / IEC 60947-1

| | |
|----------------------------------------------|----------------------------------------------------------------------------------------|
| Rated insulation voltage Ui: | 250 VAC/DC according to EN IEC 60947-1 |
| Rated short-circuit current caused: | 1 000 A, type of short-circuit device 2 A gG (EN 60947-5-1) |
| Recommended minimum operational data: | Voltage 1 VAC/DC Current 1 mA |
| Switching rating: | 50 V AC/DC @ 0,2 A |
| Electrical lifetime: | ≥20 000 cycles of operation |
| Electric strength: | 500 VAC, 50 Hz, 1 minute according to DIN IEC 60512-2 |
| Overvoltage category: | II, according to EN / IEC 61058-1 |
| Pollution degree: | 3, according to EN IEC 60947-1 |
| Standards: | According to EN 60947-5-1, EN 60947-5-5, DIN EN ISO 13850, EN IEC 60204 |
| Thermal current I_{th}: | 0.5 A (EN IEC 60947-5-1 / max. current in continuous operation at max. + 55 degrees C) |

MECHANICAL CHARACTERISTICS

| | |
|-----------------------------|--------------------------------|
| Terminal: | Plug-in terminal, 2.8 x 0.5 mm |
| Switching action: | Maintained |
| Release type: | Twist to unlock |
| Mechanical lifetime: | ≥20 000 cycles of operation |
| Operating force: | 30 N ±4 N |
| Operating Travel: | 4.2 mm |
| Tightening torque: | Max. 0.8 Nm |
| Weight: | 0.018 kg |

AMBIENT CONDITION

| | |
|-------------------------------|----------------------------------------------------------------------------------------------------------------------------------------------|
| IP Protection: | IP67 front side, according to EN IEC 60529/A1:2010-04, IP69K front side, according to EN IEC 60529/A1:2010-04, Panel surface roughness Ra1.6 |
| IK Protection: | IK06 |
| Operating temperature: | - 25 °C ... + 55 °C |
| Storage temperature: | - 40 °C ... + 85 °C |
| Shock resistance: | Max. 150 m / s ² , pulse width 11 ms, 3-axis, (semi-sinusoidal as per EN IEC 60068-2-27) |
| Vibration resistance: | Max. 100 m / s ² from 10 Hz ... 500 Hz, 20 cycles, 3-axis (sinusoidal EN IEC 60068-2-6) |
| Climate resistance: | Damp heat, steady: 56 days, + 40 °C/93 % relative humidity, according to EN IEC 60068-2-78 |

Dry heat: 96 hours, + 65 °C, as per EN IEC 60068-2-2
Low temperature: 96 hours, – 25 °C (as per EN IEC 60068-2-1) UV test, 56 days
(EN 60068-2-5:1999)

CERTIFICATE

| | |
|----------------------|------------------------------------------------------------------|
| Approbations: | CB (EN 60947), UL NISD (cULus, UL EU) LISTED E-File-Nr.: E341760 |
| Conformities: | CE, UKCA |
| REACH: | REACH compliant |
| RoHS: | RoHS compliant |

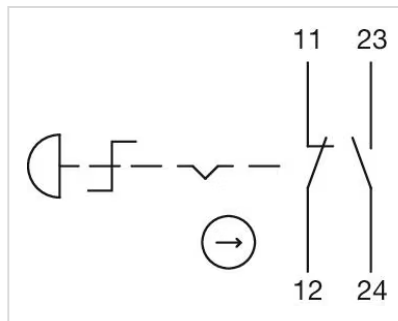
OTHER

Short Description: Actuator, Ø 27 mm, Mushroom-head, Non illuminated, Red, Plastic, Round, 1 NC / 1 NO, Maintained, Plug-in terminal, 2.8 x 0.5 mm, Twist to unlock

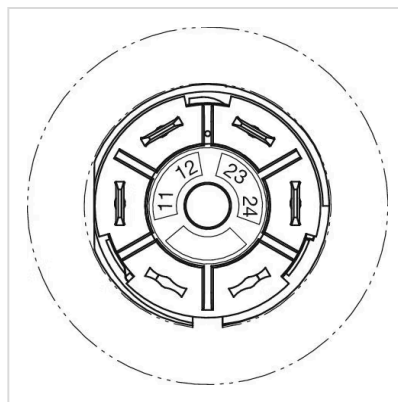
Dimension: Ø 27 mm

Hints: Application as per DIN EN ISO 13850 and EN 60204-1
Seal Part No. 61-9900
Anti-twist ring No. 51-910
Fixing nut No. 51-991
Plug-in terminals 2.8 mm x 0.5 mm are solderable without UL certificate
Front plate thickness 1 ... 4 mm with an anti-rotation ring
Front plate thickness 1 ... 6 mm without an anti-rotation ring

Wiring diagrams:



Component layouts:



Mounting cut-outs:



Dimension drawings:

