

Actuator

61-
5441.4/K

Distribution by
Newark



Your product:



61-5441.4/K Actuator

Loading ...

MOUNTING

Mounting type: Panel mounting

OPERATING-/INDICATION PART

Lens colour: Red

Lens material: Plastic

Lens illumination: Non illuminated

Lens shape: Mushroom-head

Lens optics: opaque

MECHANICAL CHARACTERISTICS

Switching action: Maintained

Release type: Key release to unlock

Tightening torque: Max. 0.5 Nm

Weight: 0.033 kg

AMBIENT CONDITION

Operating temperature: - 25 °C ... + 55 °C

CERTIFICATE

REACH: REACH compliant

RoHS: RoHS compliant

OTHER

Short Description: Actuator, Mushroom-head, Non illuminated, Red, Plastic, opaque, Maintained, Key release to unlock

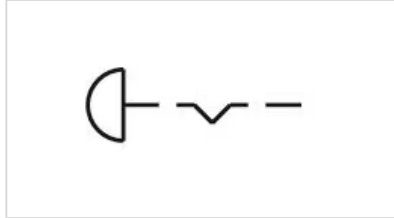
Housing colour: Yellow

Housing material: Plastic

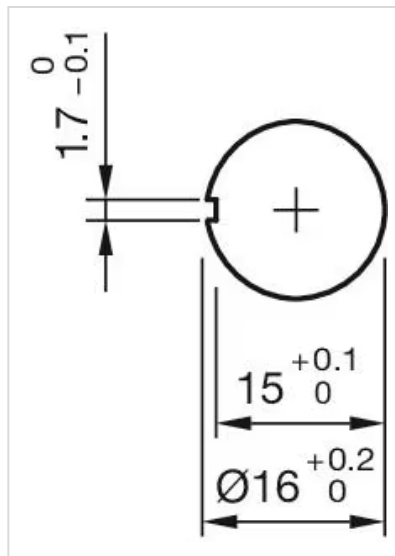
Marking: Stop

Product attributes: Key to unlock clockwise

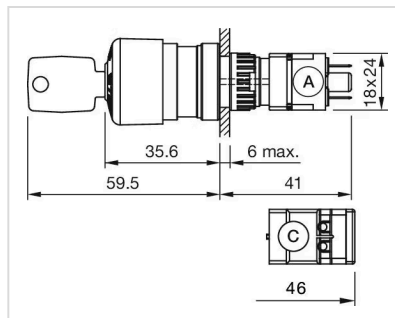
Wiring diagrams:



Mounting cut-outs:



Dimension drawings:



A = Plug-in terminal 2.8 mm x 0.5 mm

C = Screw terminal