

Actuator

61-
3440.4/8

Distribution by
Newark



<https://newark.eao.com/component/61-3440.4/8/...>

Your product:



61-3440.4/8 Actuator

Loading ...

MOUNTING

Mounting type: Panel mounting

OPERATING-/INDICATION PART

Lens colour: Grey

Lens material: Plastic

Lens illumination: Non illuminated

Lens shape: Mushroom-head

Lens optics: opaque

MECHANICAL CHARACTERISTICS

Switching action: Maintained

Release type: Twist to unlock

Tightening torque: Max. 0.5 Nm

Weight: 0.02 kg

AMBIENT CONDITION

Operating temperature: – 25 °C ... + 55 °C

CERTIFICATE

REACH: REACH compliant

RoHS: RoHS compliant

OTHER

Short Description: Actuator, Mushroom-head, Non illuminated, Grey, Plastic, opaque, Maintained, Twist to unlock

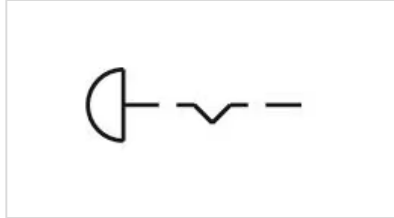
Housing colour: Grey

Housing material: Plastic

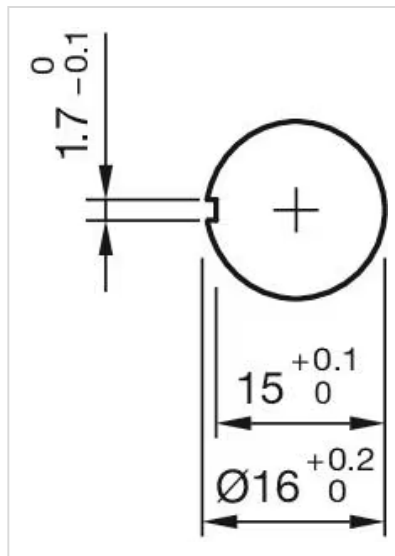
Marking: Arrows

Product attributes: Twist to unlock clockwise

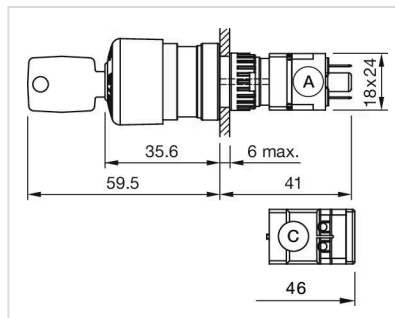
Wiring diagrams:



Mounting cut-outs:



Dimension drawings:



A = Plug-in terminal 2.8 mm x 0.5 mm

C = Screw terminal