

# Actuator

61-  
3440.4/1

Distribution by  
Newark



<https://newark.eao.com/component/61-3440.4/1/...>

Your product:

---



## 61-3440.4/1 Actuator

*Loading ...*

### **MOUNTING**

**Mounting type:** Panel mounting

### **OPERATING-/INDICATION PART**

**Lens colour:** Red

**Lens material:** Plastic

**Lens illumination:** Non illuminated

**Lens shape:** Mushroom-head

**Lens optics:** opaque

### **MECHANICAL CHARACTERISTICS**

**Switching action:** Maintained

**Release type:** Twist to unlock

**Tightening torque:** Max. 0.5 Nm

**Weight:** 0.015 kg

### **AMBIENT CONDITION**

**Operating temperature:** – 25 °C ... + 55 °C

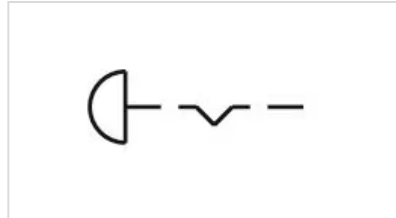
### **CERTIFICATE**

**REACH:** REACH compliant

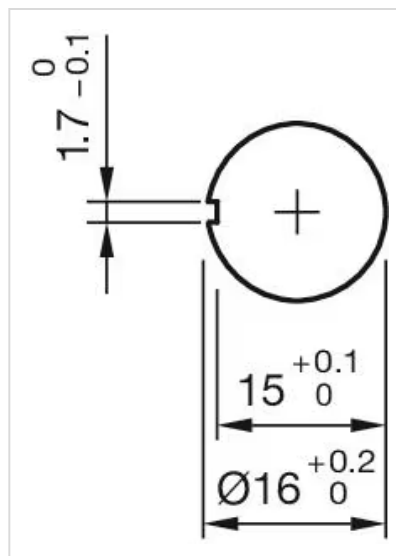
**RoHS:** RoHS compliant

## OTHER

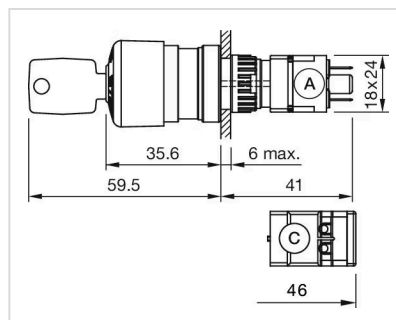
<b>Short Description:</b>	Actuator, Mushroom-head, Non illuminated, Red, Plastic, opaque, Maintained, Twist to unlock
<b>Housing colour:</b>	Yellow
<b>Housing material:</b>	Plastic
<b>Marking:</b>	Arrows
<b>Product attributes:</b>	Twist to unlock clockwise
<b>Wiring diagrams:</b>	



## Mounting cut-outs:



## Dimension drawings:



A = Plug-in terminal 2.8 mm x 0.5 mm  
C = Screw terminal