

Actuator

61-1140.0

Distribution by
Newark



<https://newark.eao.com/component/61-1140.0/en...>

Your product:



61-1140.0 Actuator

Loading ...

FRONT

Front bezel colour:	Black
Front bezel material:	Plastic

MOUNTING

Mounting type:	Panel mounting
-----------------------	----------------

OPERATING-/INDICATION PART

Lens illumination:	Illuminated
---------------------------	-------------

MECHANICAL CHARACTERISTICS

Switching action:	Momentary
Mechanical lifetime:	According to DIN/IEC 60512-5-6 and EN/IEC 60947-5-1, 2 Mil. cycles of operation
Operating force:	3 N ... 5 N snap-action switching element, 3.5 ... 11 N slow-make switching element
Operating Travel:	3 mm
Tightening torque:	Max. 0.5 Nm
Weight:	0.004 kg

AMBIENT CONDITION

IP Protection:	IP40 rear side, according to EN IEC 60529, IP67 front side, according to EN IEC 60529
Operating temperature:	- 25 °C ... + 55 °C
Storage temperature:	- 40 °C ... + 85 °C

CERTIFICATE

REACH: REACH compliant

RoHS: RoHS compliant

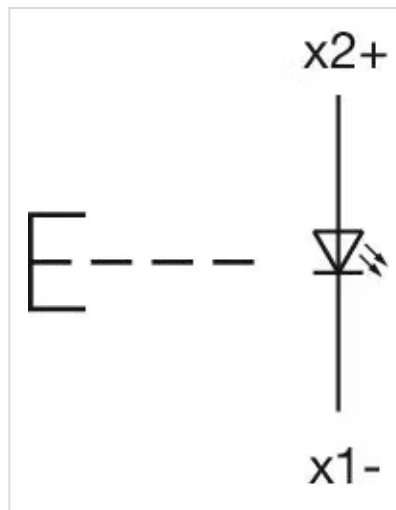
OTHER

Short Description: Actuator, Illuminated, Black, Plastic, Momentary

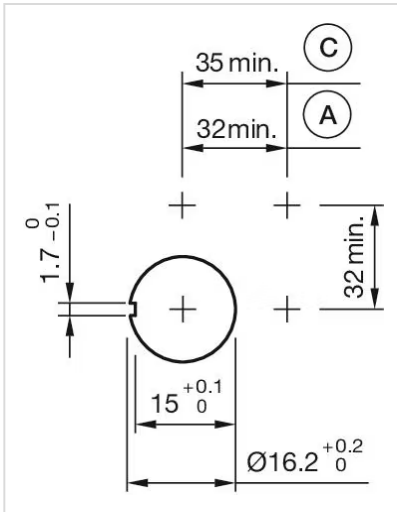
Housing colour: Black

Housing material: Plastic, according to UL 94 V0, self-extinguishing

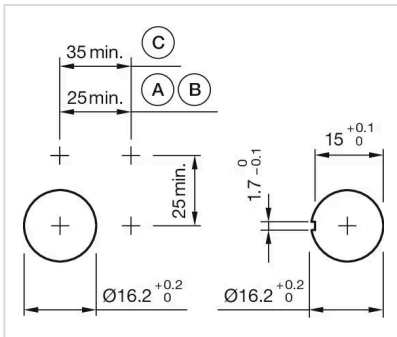
Wiring diagrams:



Mounting cut-outs:

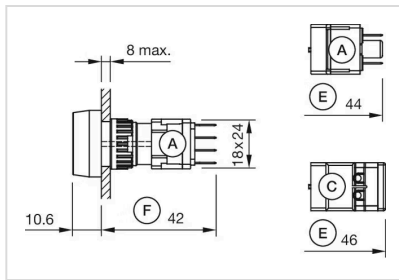


A = Solder/Plug-in terminal 2.8 mm x 0.5 mm
 C = Screw terminal

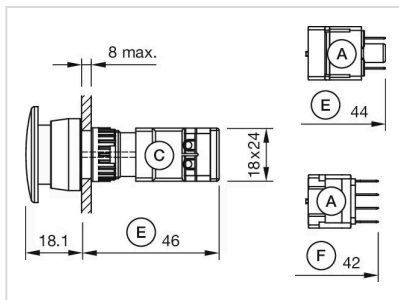


A = Solder/Plug-in terminal 2.8 mm x 0.5 mm
 B = Solder terminal
 C = Screw terminal

Dimension drawings:



A = Plug-in terminal 2.8 mm x 0.5 mm
 C = Screw terminal
 E = Slow-make switching element
 F = Snap-action switching element



A = Plug-in terminal 2.8 mm x 0.5 mm
 C = Screw terminal
 E = Slow-make switching element
 F = Snap-action switching element