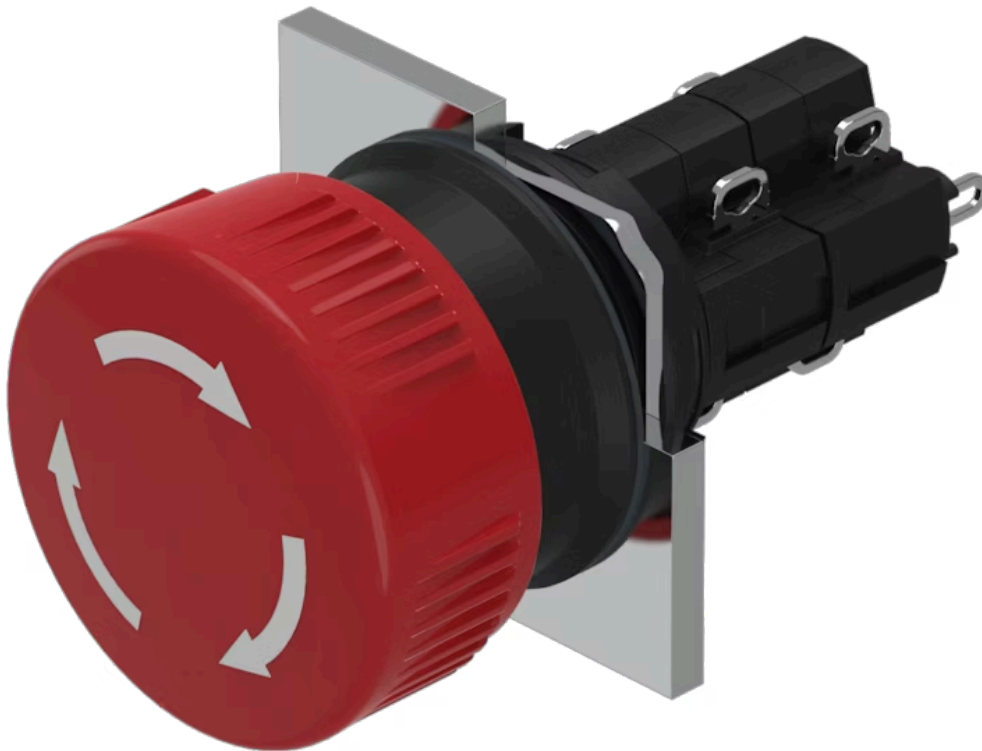


# Actuator

51-  
259.025

Distribution by  
Newark



<https://newark.eao.com/component/51-259.025/e...>

Your product:

---



## 51-259.025 Actuator

*Loading ...*

### FRONT

**Front dimension:** Ø 24,5 mm

**Front form:** Round

### MOUNTING

**Design:** Raised

**Mounting type:** Panel mounting

### OPERATING-/INDICATION PART

**Lens colour:** Red

**Lens material:** Plastic

**Lens illumination:** Non illuminated

**Lens shape:** Mushroom-head

**Lens optics:** opaque

### ELECTRICAL CHARACTERISTICS

**Switching voltage and switching current:** 250 VAC, 5 A (ohmic)  
24 VDC, 2 A (inductive, L:R = 30 ms)

**Contacts:** 2 NC / 2 NO

**Switching rating:** 250 V @ 5 A

### MECHANICAL CHARACTERISTICS

**Terminal:** Soldering terminal

**Contact material:** Gold

<b>Switching action:</b>	Maintained
<b>Switching system:</b>	Snap-action switching element
<b>Switching system:</b>	Self-cleaning, double-break snap action switching system, 1 normally closed and 1 normally open contact per element.
<b>Release type:</b>	Twist to unlock
<b>Mechanical lifetime:</b>	100 000 cycles of operation
<b>Operating force:</b>	18 ... 21 N (depending on the switching element)
<b>Tightening torque:</b>	Fixing nut max. 0.5 Nm
<b>Weight:</b>	0.015 kg

### AMBIENT CONDITION

<b>IP front protection:</b>	IP65, according to DIN EN 60529
<b>Operating temperature:</b>	- 25 °C ... + 55 °C
<b>Storage temperature:</b>	- 40 °C ... + 85 °C

### CERTIFICATE

<b>Approbations:</b>	CB (IEC 61058-1), CSA, ENEC (EN 61058-1), UL
<b>Conformities:</b>	CE, UKCA, 2006 / 42 / EC (MD), 2011 / 65 / EC (RoHS)
<b>REACH:</b>	REACH compliant
<b>RoHS:</b>	RoHS compliant

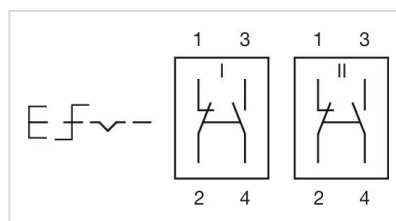
### OTHER

**Short Description:** Actuator, Ø 24,5 mm, Mushroom-head, Non illuminated, Red, Plastic, opaque, Round, 2 NC / 2 NO, Maintained, Soldering terminal, IP65, according to DIN EN 60529, Twist to unlock

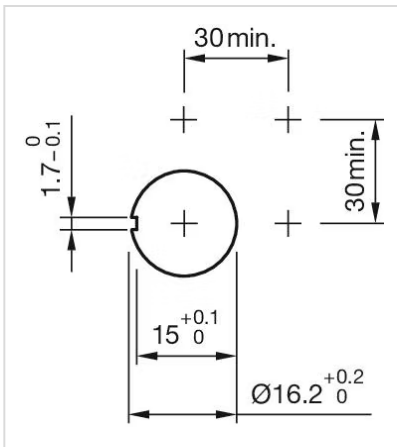
**Housing colour:** Black

**Hints:** Marking arrows

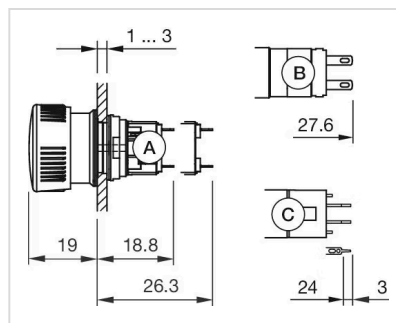
**Wiring diagrams:**



**Mounting cut-outs:**



**Dimension drawings:**



- A = Solder terminal
- B = Plug-in terminal 2.8 mm x 0.5 mm
- C = Universal terminal 2.0 mm x 0.5 mm