

PCB plug-in base

31-942

Distribution by
Newark

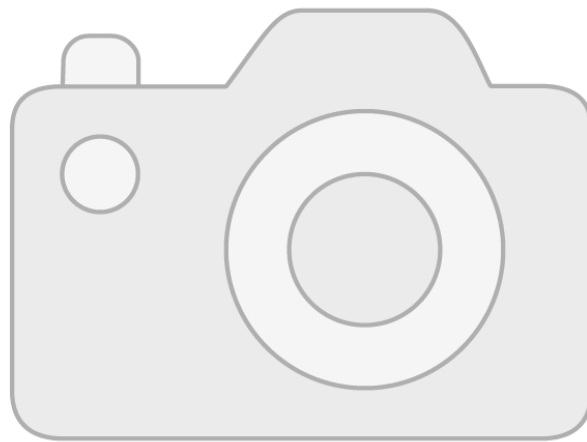


Image not available



Your product:



Image not available

31-942 PCB plug-in base

Loading ...

ELECTRICAL CHARACTERISTICS

Forward voltage:

MECHANICAL CHARACTERISTICS

Terminal: PCB terminal

Weight: 0.003 kg

OTHER

Short Description: PCB plug-in base, Plastic, heat-resistant and self-extinguishing, PCB terminal, Axial

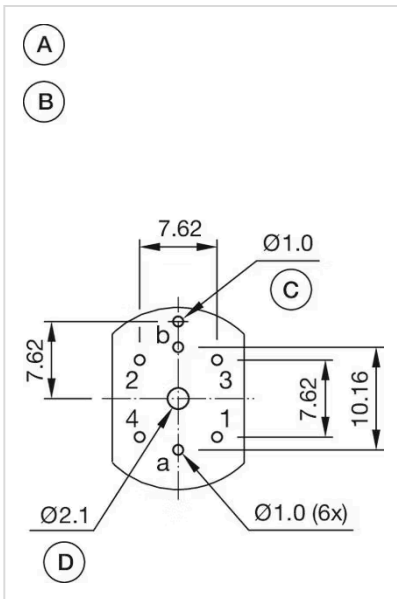
Titel Accessory: PCB plug-in base

Material: Plastic, heat-resistant and self-extinguishing

Product attributes: For snap-action switching element 2.8 mm

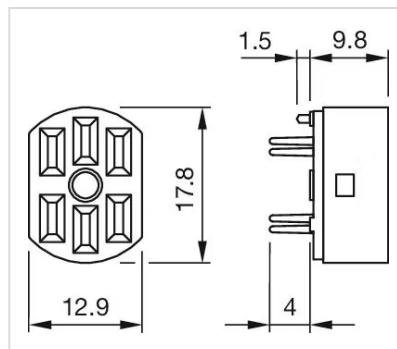
Pins: Axial

Component layouts:



- A = Axial socket
- B = Drilling-/occupancy plan (component side)
- C = non-metallic
- D = for central mounting with M2 screw, if desired

Dimension drawings:



for Part No. 31-942