

# PCB plug-in base

31-940

Distribution by  
Newark

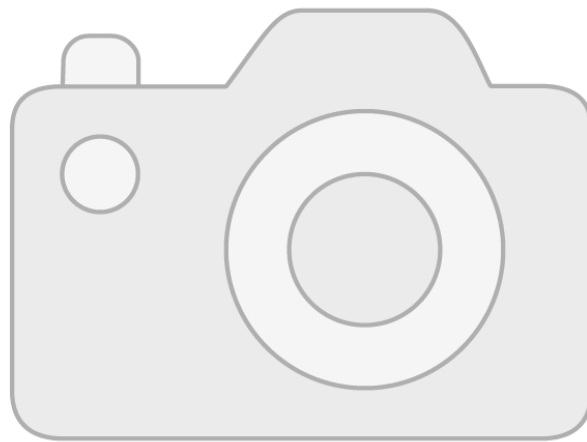
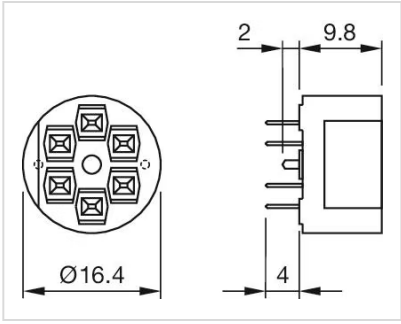


Image not available



<https://newark.eao.com/component/31-940/en/pc...>





for Part No. 31-940