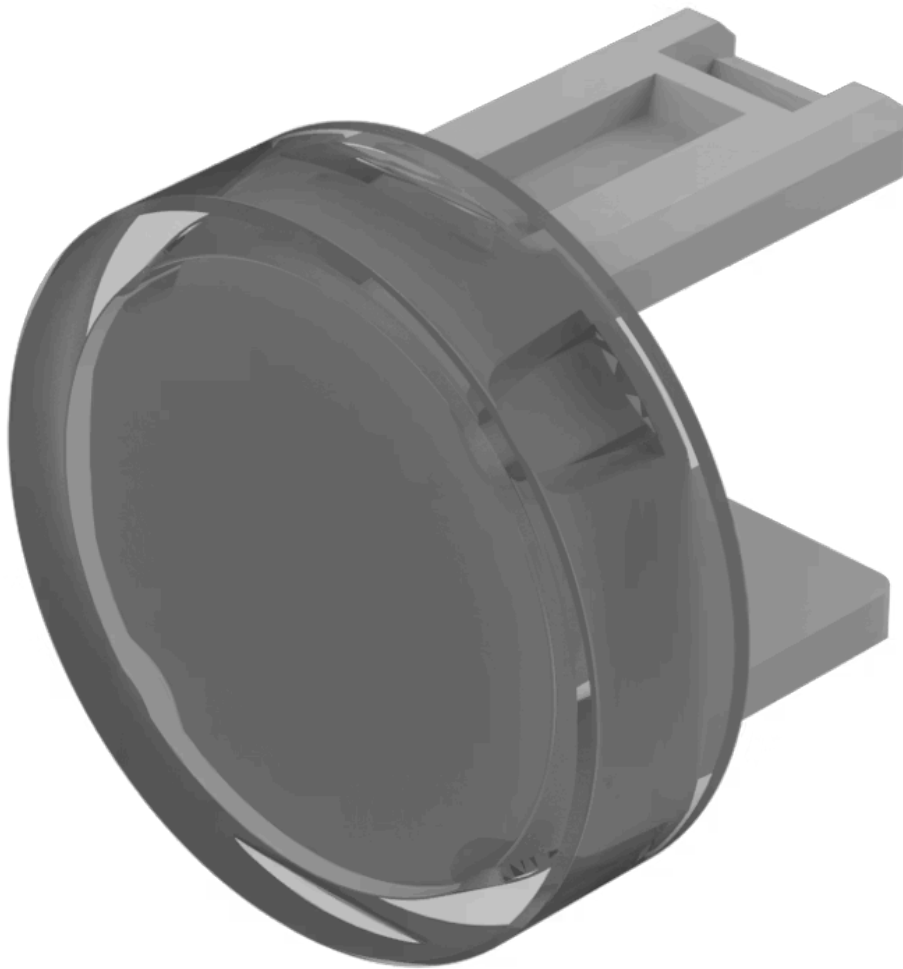


Lens

31-
931.9

Distribution by
Newark



Your product:



31-931.9 Lens

Loading ...

PRODUCT RANGE

Product Status: Not Recommended for new design

FRONT

Front form: Round

OPERATING-/INDICATION PART

Lens colour: White

Lens material: Plastic

Lens illumination: Illuminated

Lens shape: Flush

Lens optics: translucent

MECHANICAL CHARACTERISTICS

Weight: 0.001 kg

CERTIFICATE

REACH: REACH compliant

RoHS: RoHS compliant

OTHER

Short Description: Lens, Ø 15.8 mm, Illuminated, White, Flush, Plastic

Dimension: Ø 15.8 mm

Product attributes:

Not recommended for film insert