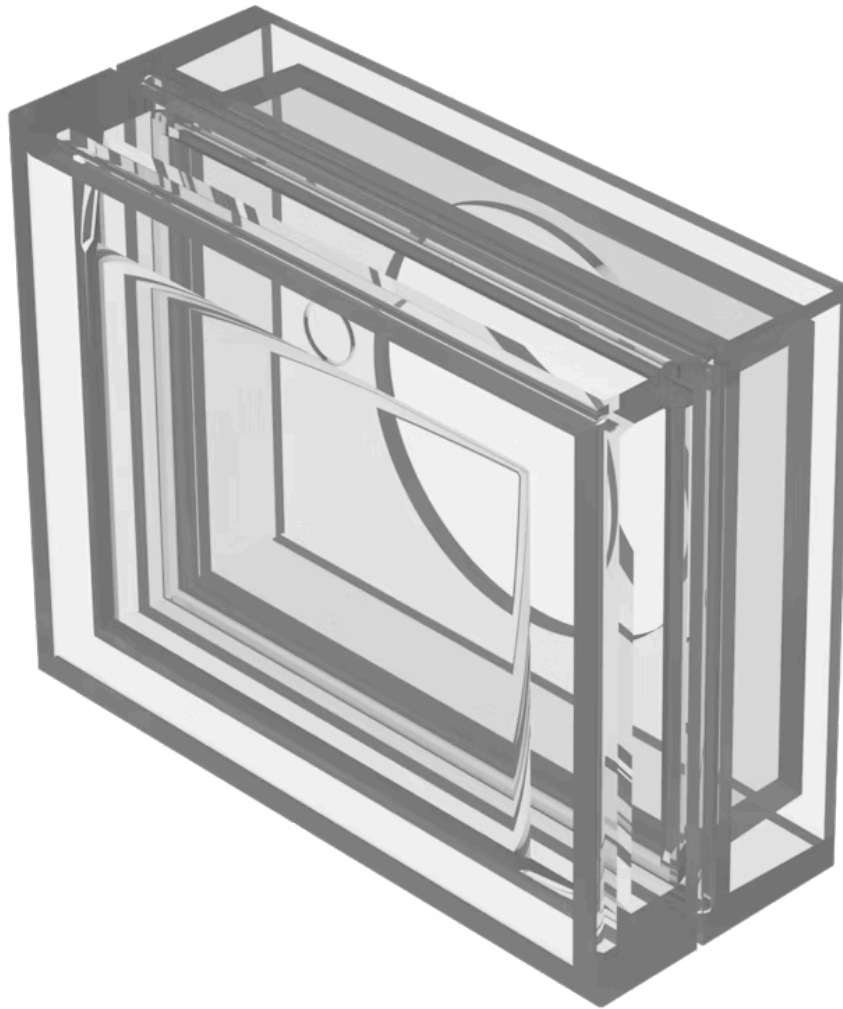


# Front protective cap

31-924.2

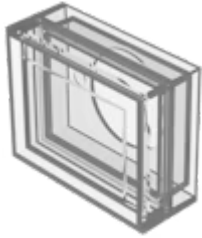
Distribution by Newark



<https://newark.eao.com/component/31-924.2/en/...>

Your product:

---



## 31-924.2 Front protective cap

*Loading ...*

### FRONT

**Colour:** Colourless

### ELECTRICAL CHARACTERISTICS

**Forward voltage:**

### MECHANICAL CHARACTERISTICS

**Weight:** 0.004 kg

### OTHER

**Short Description:** Front protective cap, 30 mm x 24 mm, 24 mm x 18 mm, transparent, Colourless

**Titel Accessory:** Front protective cap

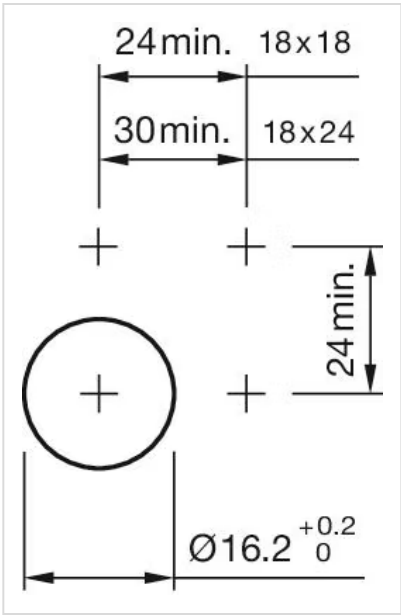
**Dimension:** 30 mm x 24 mm

**Internal size:** 24 mm x 18 mm

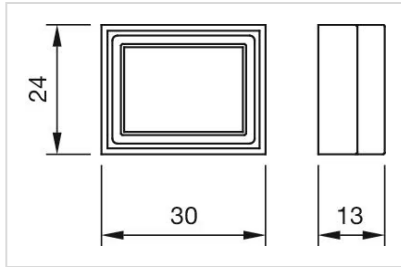
**Product attributes:** Two-part

**Optics:** transparent

**Mounting cut-outs:**



Dimension drawings:



for Part No. 31-924.2