

Actuator

31-
810.005

Distribution by
Newark



<https://newark.eao.com/component/31-810.005/e...>

Your product:



31-810.005 Actuator

Loading . . .

FRONT

| | |
|------------------------------|---------------|
| Front dimension: | 24 mm x 18 mm |
| Front form: | Rectangular |
| Front bezel colour: | Black |
| Front bezel material: | Plastic |

MOUNTING

| | |
|--------------------------|----------------|
| Design: | Raised |
| Mounting cut-out: | Ø 16 mm |
| Mounting type: | Panel mounting |

ELECTRICAL CHARACTERISTICS

| | |
|---|--|
| Switching voltage and switching current: | Typ. 10 VAC ... 55 VAC, 25 mA Typ. 10 VDC ... 75 VDC, 15 mA |
| Operating voltage: | 10 - 55 V AC |

MECHANICAL CHARACTERISTICS

| | |
|---------------------------|------------------------|
| Terminal: | Soldering terminal |
| Tightening torque: | Fixing nut max. 0.5 Nm |
| Weight: | 0.011 kg |

ACOUSTICAL CHARACTERISTICS

Tone frequency: ca. 2.0 kHz
Sound pressure: 88dB (A) ±8dB at a distance of 0.1m

AMBIENT CONDITION

IP Protection: IP40
Operating temperature: - 25 °C ... + 55 °C
Storage temperature: - 40 °C ... + 85 °C

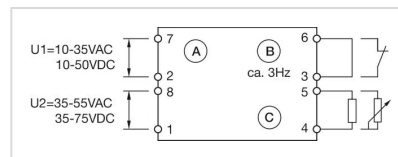
CERTIFICATE

Approbations: DNV
Conformities: CE, UKCA, 2011 / 65 / EC (RoHS), 2014 / 35 / EU (LVD)
REACH: REACH compliant
RoHS: RoHS compliant

OTHER

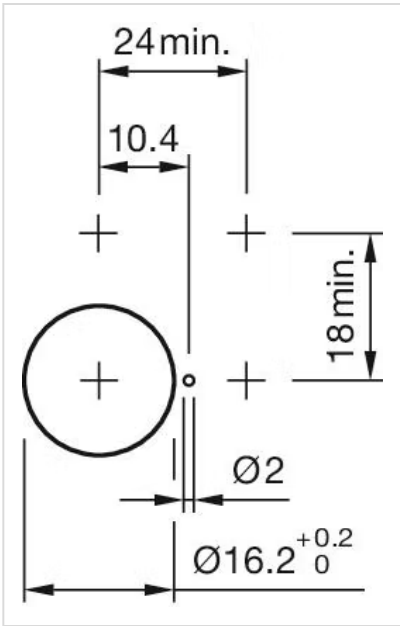
Short Description: Actuator, Ø 16 mm, 24 mm x 18 mm, Rectangular, Black, Plastic, Soldering terminal
Housing colour: Black
Housing material: Plastic
Product attributes: Further information see Technical data
Buzzer system: Electronic non-contacting buzzer with IC oscillator

Wiring diagrams:

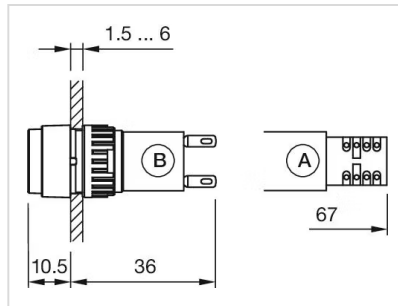


A = Power supply
B = Continuous tone (when open) / Intermittent tone (when closed)
C = Volume control

Mounting cut-outs:



Dimension drawings:



A = Solder terminal
 B = Plug-in terminal 2.8 mm x 0.5 mm