

# Actuator

22-  
211.011

Distribution by  
Newark



<https://newark.eao.com/component/22-211.011/e...>

Your product:

---



## 22-211.011 Actuator

*Loading ...*

### FRONT

<b>Front dimension:</b>	36 mm x 24 mm
<b>Front form:</b>	Rectangular
<b>Front bezel colour:</b>	Black
<b>Front bezel material:</b>	Plastic

### MOUNTING

<b>Design:</b>	Flush
<b>Mounting cut-out:</b>	22 mm x 30 mm
<b>Mounting type:</b>	Panel mounting

### OPERATING-/INDICATION PART

<b>Lens illumination:</b>	Optional illuminated
---------------------------	----------------------

### ELECTRICAL CHARACTERISTICS

<b>Switching voltage and switching current:</b>	400 VAC, 10 A (ohmic) 400 VAC, 4 A (inductive, $\cos(\phi) = 0.7$ ) 250 VAC, 5 A (inductive, $\cos(\phi) = 0.7$ ) 125 VAC, 8 A (inductive, $\cos(\phi) = 0.7$ ) 110 VDC, 0.4 A (inductive, L:R = 30 ms) 60 VDC, 1.5 A (inductive, L:R = 30 ms) 24 VDC, 6 A (inductive, L:R = 30 ms)
---	---

<b>Contacts:</b>	1 NO
<b>Rated insulation voltage <math>U_i</math>:</b>	400 VAC/440 VDC according to IEC 60947-5-1
<b>Switching rating:</b>	400 V @ 10 A
<b>Electrical lifetime:</b>	50 000 cycles of operation
<b>Electric strength:</b>	

2000 VAC, 50 Hz, 1 minute, as per IEC 60512-2-11 between all terminals and earth

**Standards:** The switches comply with the "Standards for low-voltage switching devices" EN IEC 60947-5-1

**Thermal current I<sub>th</sub>:** 10 A

### MECHANICAL CHARACTERISTICS

**Terminal:** Screw terminal

**Contact material:** Silver

**Switching action:** Momentary

**Switching system:** Snap-action switching element

**Switching system:** Self-cleaning, double-break snap action switching system (contact opening width 2 mm x 1.5 mm).  
Max. 2 normally closed or 2 normally open contacts, or one of each

**Mechanical lifetime:** 1 Mil. cycles of operation

**Operating force:** 4.4 N ±1 N (1 switching element), 7.8 N ±1 N (2 switching element)

**Operating Travel:** 5.5 mm ± 0.5 mm

**Travel:** > 3 mm

**Tightening torque:** Fixing nut max. 0.2 Nm, Screw terminal 0.8 Nm

**Terminal details 1:** Max. wire cross-section 2 mm x 2.5 mm<sup>2</sup>  
Max. wire cross-section of stranded cable 2 x 1.5 mm<sup>2</sup>

**Weight:** 0.04 kg

### AMBIENT CONDITION

**IP Protection:** IP20 rear side, IP65 front side, according to IEC 60529

**Operating temperature:** - 25 °C ... + 55 °C

**Storage temperature:** - 40 °C ... + 95 °C

**Shock resistance:** 50 g for 11 ms, according to IEC 60512-4-3

**Vibration resistance:** 10 g at 10 Hz...2000 Hz, amplitude 0.75 mm (Sinusoidal), according to DIN EN 60512-4-4

### CERTIFICATE

**Approbations:** CB (IEC 61058-1), CSA, EAC, ENEC (EN 61058-1), UL

**Conformities:** CE, UKCA, 2011 / 65 / EC (RoHS), 2014 / 35 / EU (LVD)

**REACH:** REACH compliant

**RoHS:**

RoHS compliant

**OTHER**

**Short Description:**

Actuator, 22 mm x 30 mm, 36 mm x 24 mm, Optional illuminated, Rectangular, Black, Plastic, 1 NO, Momentary, Screw terminal

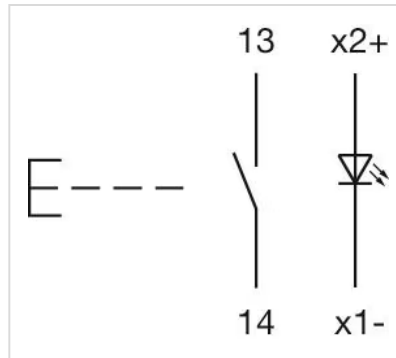
**Housing colour:**

Black

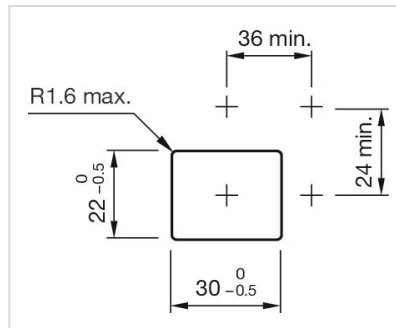
**Housing material:**

Plastic

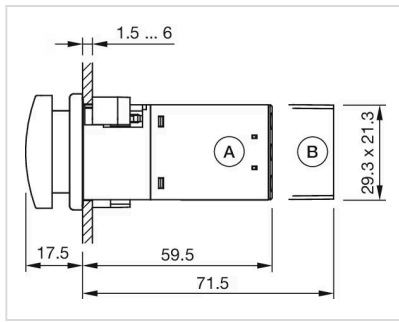
**Wiring diagrams:**



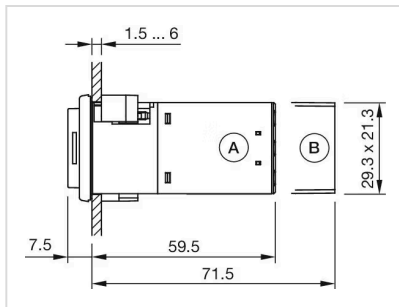
**Mounting cut-outs:**



**Dimension drawings:**



A = Screw terminal  
 B = Plug-in terminal 6.3 mm x 0.8 mm



A = Screw terminal  
 B = Plug-in terminal 6.3 mm x 0.8 mm