

# Actuator

22-  
040.001

Distribution by  
Newark



<https://newark.eao.com/p/22-040.001>

Your product:

---



## 22-040.001 Actuator

### FRONT

**Front dimension:** 36 mm x 24 mm

**Front form:** Rectangular

### MOUNTING

**Design:** Flush

**Mounting cut-out:** 22 mm x 30 mm

**Mounting type:** Panel mounting

### ELECTRICAL CHARACTERISTICS

**Switching rating:**

### MECHANICAL CHARACTERISTIC

**Terminal:** Screw terminal

**Weight:** 0.022 kg

### AMBIENT CONDITION

**Operating temperature:** - 25 °C ... + 55 °C

### CERTIFICATE

**REACH:** REACH compliant

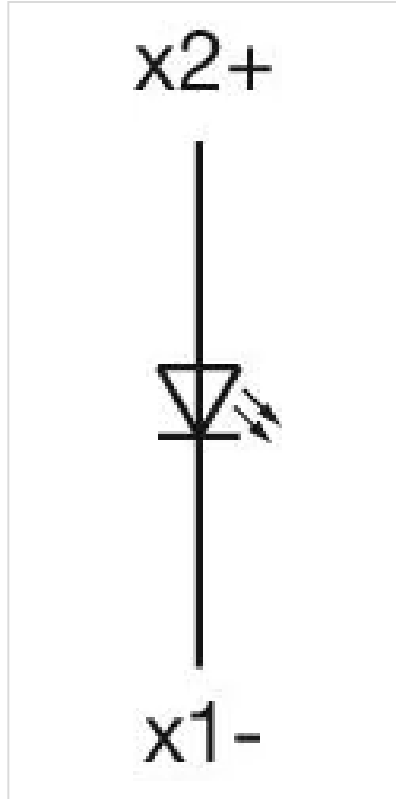
**RoHS:** RoHS compliant

**OTHER**

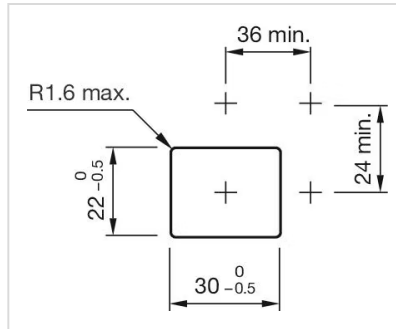
**Short Description:**

Actuator, 22 mm x 30 mm, 36 mm x 24 mm, Rectangular, Screw terminal

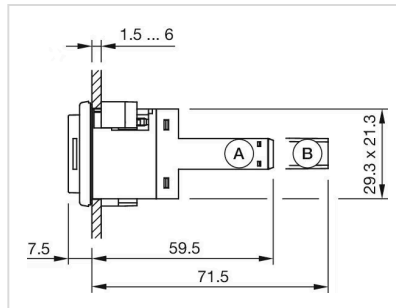
**Wiring diagrams:**



**Mounting cut-outs:**



**Dimension drawings:**



A = Screw terminal  
B = Plug-in terminal 6.3 mm x 0.8 mm