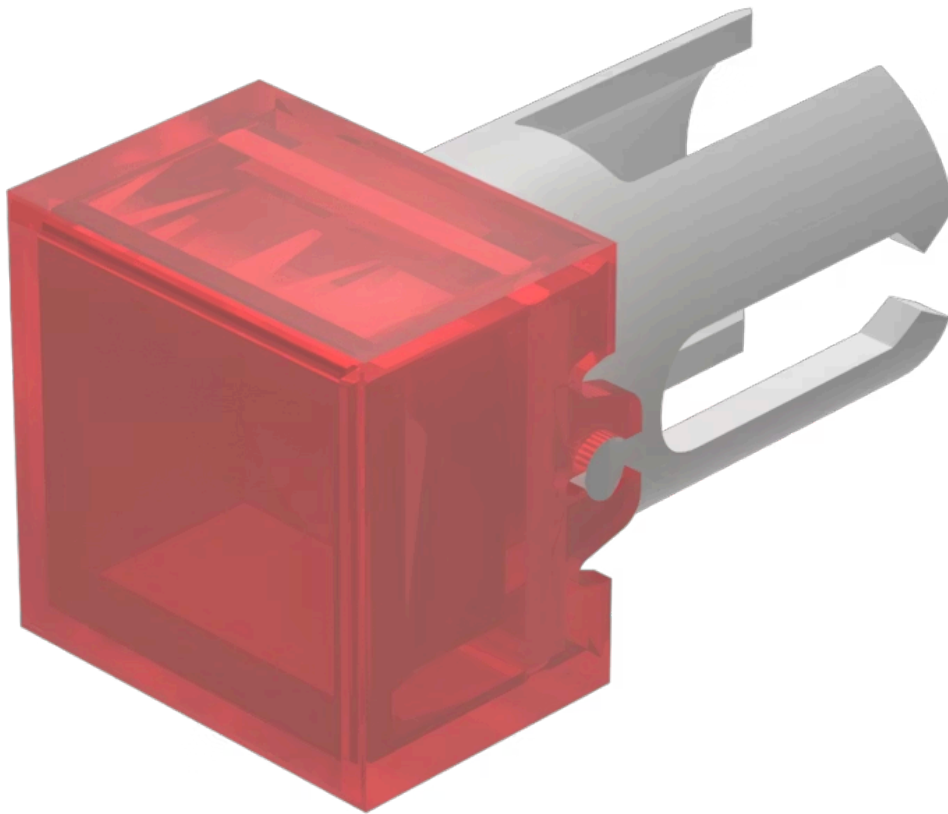


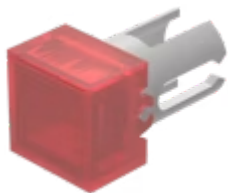
Lens

19-
952.2

Distribution by
Newark



Your product:



19-952.2 Lens

Loading ...

FRONT

Front form: Square

OPERATING-/INDICATION PART

Lens colour: Red

Lens material: Plastic

Lens illumination: Illuminated

Lens shape: Flush

Lens optics: transparent

MECHANICAL CHARACTERISTICS

Weight: 0.001 kg

CERTIFICATE

REACH: REACH compliant

RoHS: RoHS compliant

OTHER

Short Description: Lens, 7.3 mm x 7.3 mm, Illuminated, Red, Flush, Plastic

Dimension: 7.3 mm x 7.3 mm

Product attributes: Not recommended for film insert