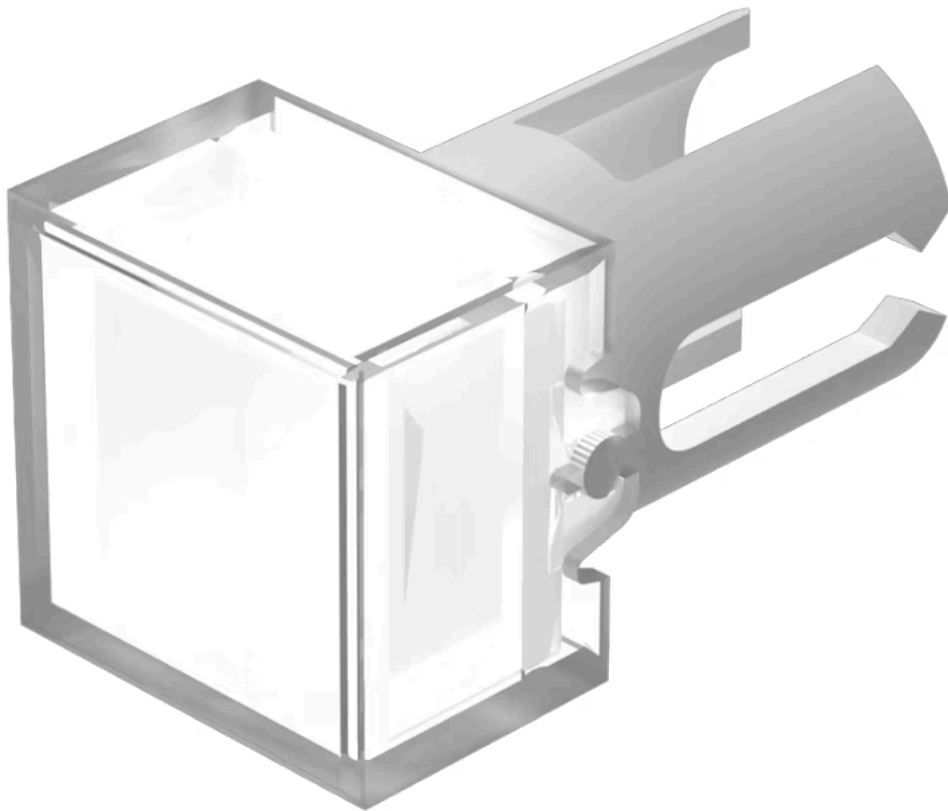


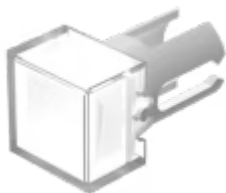
Lens

19-
951.9

Distribution by
Newark



Your product:



19-951.9 Lens

Loading ...

FRONT

Front form: Square

OPERATING-/INDICATION PART

Lens colour: White

Lens material: Plastic

Lens illumination: Illuminated

Lens shape: Flush

Lens optics: transparent

MECHANICAL CHARACTERISTICS

Weight: 0 kg

CERTIFICATE

REACH: REACH compliant

RoHS: RoHS compliant

OTHER

Short Description: Lens, 7.3 mm x 7.3 mm, Illuminated, White, Flush, Plastic

Dimension: 7.3 mm x 7.3 mm

Product attributes: For film insert