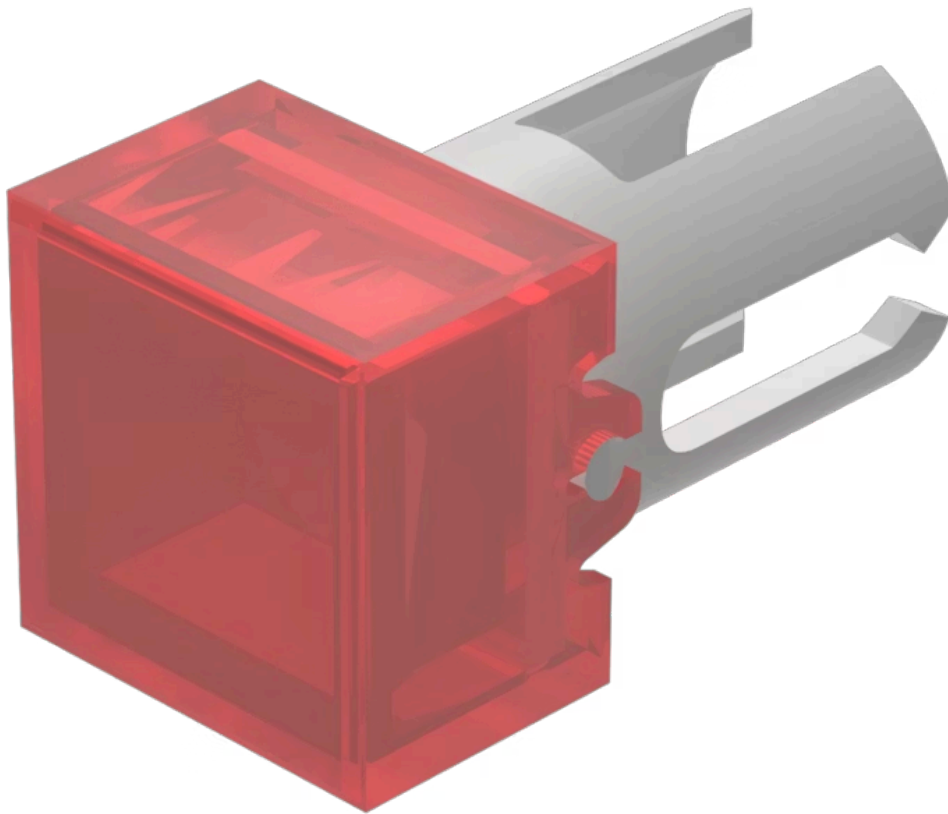


# Lens

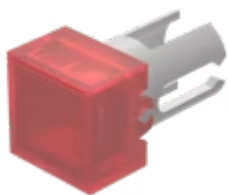
19-  
951.2

Distribution by  
Newark



Your product:

---



## 19-951.2 Lens

*Loading ...*

### FRONT

**Front form:** Square

### OPERATING-/INDICATION PART

**Lens colour:** Red

**Lens material:** Plastic

**Lens illumination:** Illuminated

**Lens shape:** Flush

**Lens optics:** transparent

### MECHANICAL CHARACTERISTICS

**Weight:** 0.001 kg

### CERTIFICATE

**REACH:** REACH compliant

**RoHS:** RoHS compliant

### OTHER

**Short Description:** Lens, 7.3 mm x 7.3 mm, Illuminated, Red, Flush, Plastic

**Dimension:** 7.3 mm x 7.3 mm

**Product attributes:** For film insert