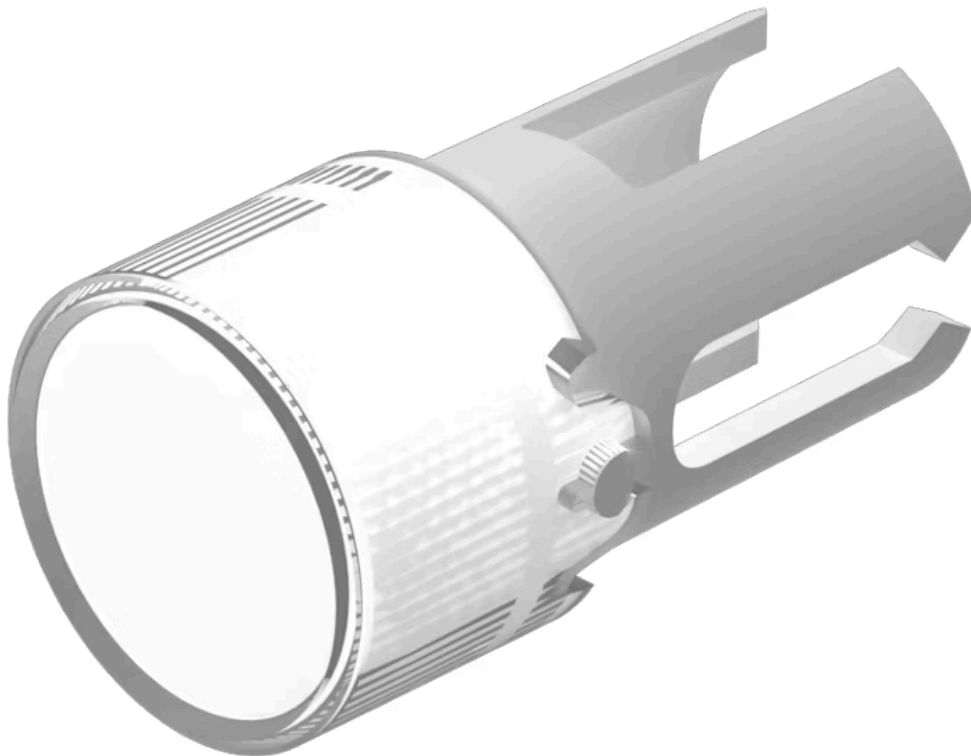


# Lens

19-  
931.9

Distribution by  
Newark



Your product:

---



## 19-931.9 Lens

*Loading ...*

### FRONT

**Front form:** Round

### OPERATING-/INDICATION PART

**Lens colour:** White

**Lens material:** Plastic

**Lens illumination:** Illuminated

**Lens shape:** Flush

**Lens optics:** transparent

### MECHANICAL CHARACTERISTICS

**Weight:** 0 kg

### CERTIFICATE

**REACH:** REACH compliant

**RoHS:** RoHS compliant

### OTHER

**Short Description:** Lens, Ø 7.3 mm, Illuminated, White, Flush, Plastic

**Dimension:** Ø 7.3 mm

**Product attributes:** For film insert