

Actuator

14-
271.022

Distribution by
Newark



<https://newark.eao.com/component/14-271.022/e...>

Your product:



14-271.022 Actuator

Loading ...

FRONT

Front form: Round

MOUNTING

Mounting type: Panel mounting

OPERATING-/INDICATION PART

Lens illumination: Illuminated

ELECTRICAL CHARACTERISTICS

Switching voltage and switching current:
250 VAC, 5 A (ohmic)
250 VAC, 3 A (Soldering terminal)
250 VAC, 2 A (inductive, $\cos(\phi) = 0.7$)
220 VDC, 0.1 A (inductive, L:R = 30 ms)
110 VDC, 0.2 A (inductive, L:R = 30 ms)
60 VDC, 0.7 A (inductive, L:R = 30 ms)
24 VDC, 2 A (inductive, L:R = 30 ms)

Contacts: 1 NC / 1 NO

Rated Operational Voltage U_e : 250 VAC/DC according to EN IEC 61058-1

Switching rating: 250 V @ 3 A

Electrical lifetime: 50 000 cycles of operation

Electric strength: 3000 VAC, 50 Hz, 1 min. between all terminals and earth, according to EN/IEC 61058-1

Protection class: II

Standards: According to EN/IEC 61058-1

Thermal current I_{th} : The maximum current in continuous operation and at ambient temperature not exceeding the quoted maximum values.
3 A

MECHANICAL CHARACTERISTICS

| | |
|-----------------------------|--|
| Terminal: | Plug-in terminal, 2.8 x 0.5 mm |
| Contact material: | Gold |
| Switching action: | Maintained |
| Switching system: | Snap-action switching element |
| Switching system: | Self-cleaning, double-break snap action switching system (contact opening width 2 mm x 0.5 mm), 1 normally closed and 1 normally open contact per element. |
| Mechanical lifetime: | 1 Mil. cycles of operation |
| Operating force: | 5 N ... 8 N |
| Operating Travel: | 3 mm |
| Tightening torque: | Fixing nut max. 0.25 Nm |
| Terminal details 1: | Snap-action switching element with axial soldering terminals, which can also be used as plug-in terminals 2.8 x 0.5mm |
| Weight: | 0.017 kg |

AMBIENT CONDITION

| | |
|-------------------------------|---|
| IP front protection: | IP67, according to DIN EN 60529 |
| Operating temperature: | - 25 °C ... + 55 °C, mounted as a block, make sure the heat can escape freely |
| Storage temperature: | - 40 °C ... + 85 °C |
| Shock resistance: | Max. 150 m / s ² , pulse width 11 ms, 3-axis, (semi-sinusoidal as per EN IEC 60068-2-27) |
| Vibration resistance: | Max. 100 m / s ² from 10 Hz ... 500 Hz, (sinusoidal EN IEC 60068-2-6) |
| Climate resistance: | Standard condition, as per DIN EN 60068-2-78 Standard cyclic, as per DIN IEC 60068-2-30 |

CERTIFICATE

| | |
|----------------------|--|
| Approbations: | CB (IEC 61058-1), CQC, CSA, DNV, EAC, ENEC (EN 61058-1), UL, VDE |
| Conformities: | CE, UKCA, 2011 / 65 / EC (RoHS), 2014 / 35 / EU (LVD) |
| REACH: | REACH compliant |
| RoHS: | RoHS compliant |

OTHER

| | |
|---------------------------|--|
| Short Description: | Actuator, Illuminated, Round, 1 NC / 1 NO, Maintained, Plug-in terminal, 2.8 x 0.5 mm, IP67, according to DIN EN 60529 |
|---------------------------|--|

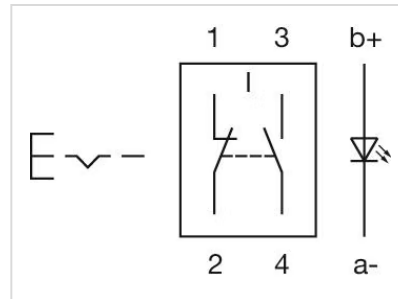
Housing colour:

Black

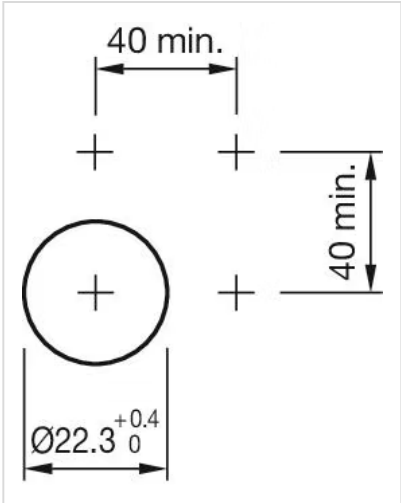
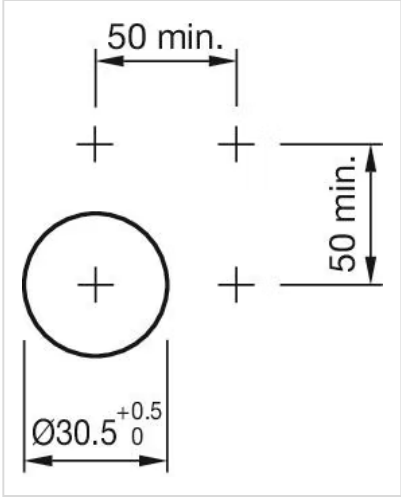
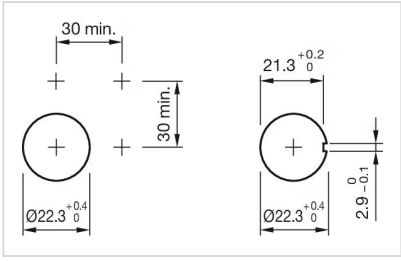
max. number of switching elements:

1

Wiring diagrams:

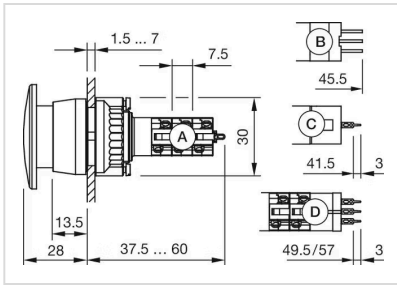


Mounting cut-outs:

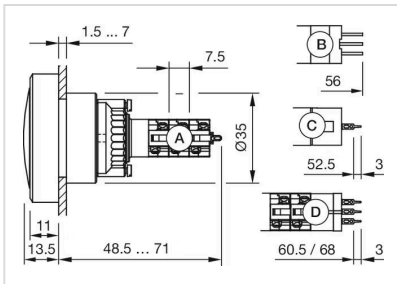




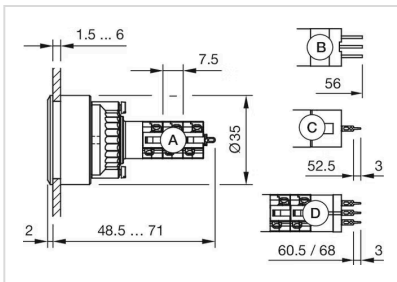
Dimension drawings:



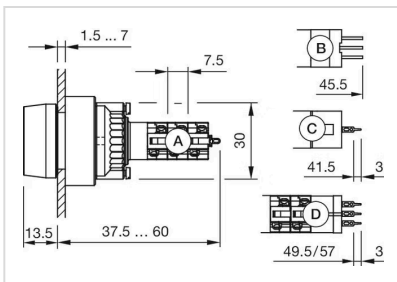
A = Solder terminal
 B = Plug-in terminal 2.8 x 0.5 mm
 C = Universal terminal 2.0 mm x 0.5 mm
 D = Universal-Solder terminal



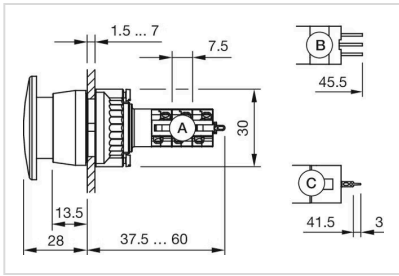
A = Solder terminal
 B = Plug-in terminal 2.8 x 0.5 mm
 C = Universal terminal 2.0 mm x 0.5 mm
 D = Universal-Solder terminal



A = Solder terminal
 B = Plug-in terminal 2.8 x 0.5 mm
 C = Universal terminal 2.0 mm x 0.5 mm
 D = Universal-Solder terminal



A = Solder terminal
 B = Plug-in terminal 2.8 x 0.5 mm
 C = Universal terminal 2.0 mm x 0.5 mm
 D = Universal-Solder terminal



- A = Solder terminal
- B = Plug-in terminal 2.8 x 0.5 mm
- C = Universal terminal 2.0 mm x 0.5 mm